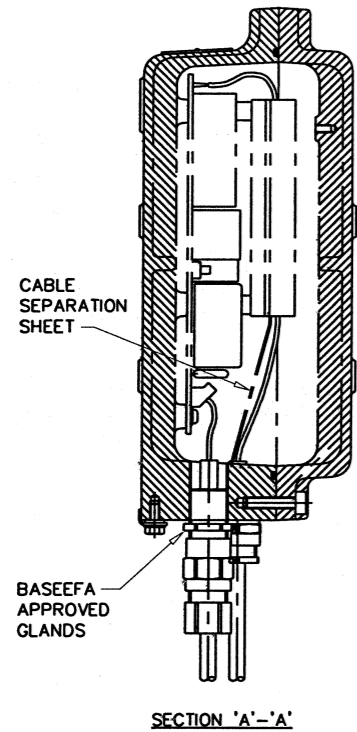


SCPD3107

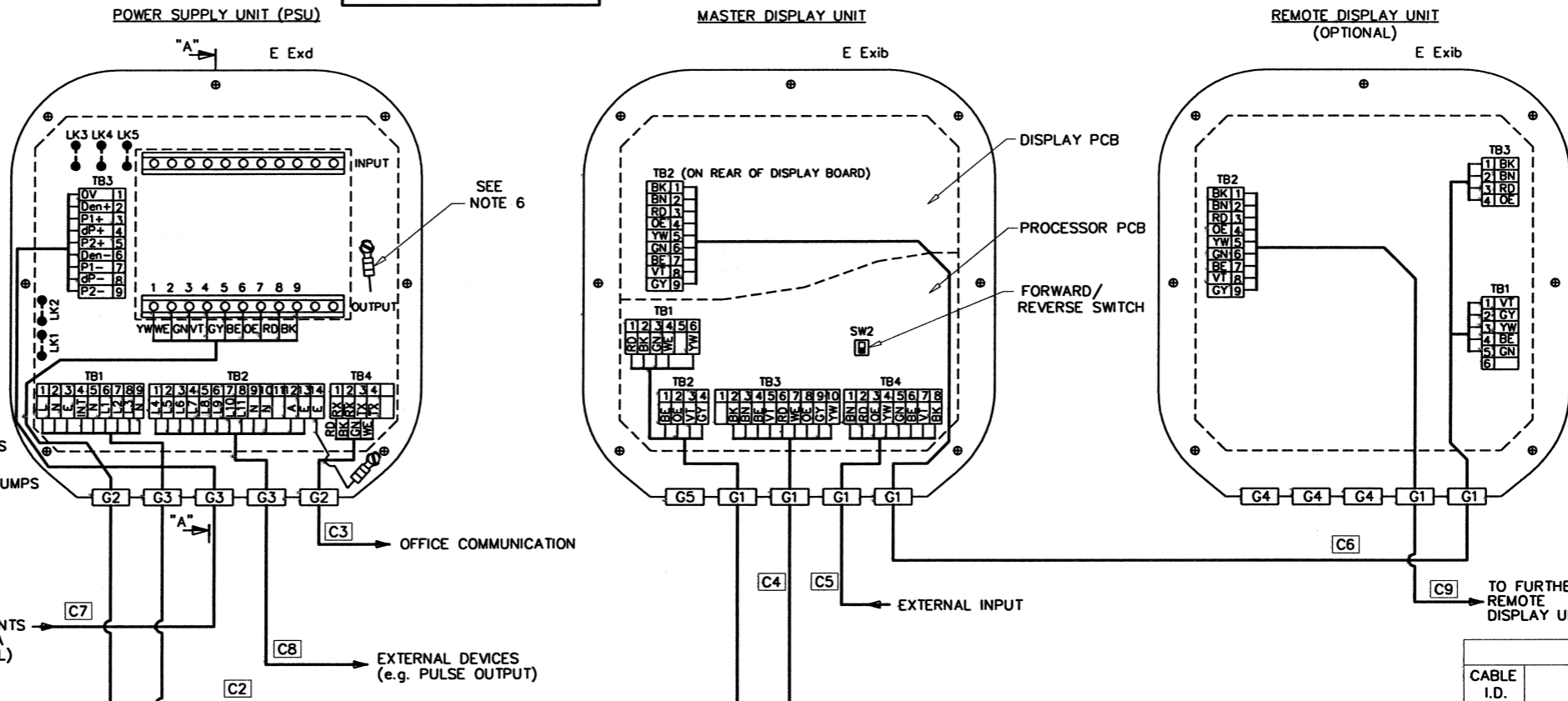
SIHS	JO
LHS	
THIS DRG. IS THE SUBJECT OF WRITTEN APPROVAL BY:	
NO CHANGES TO BE MADE WITHOUT WRITTEN APPROVAL FROM THE AUTHORISED PERSON.	
ISS.	ALTERATION
J	ECR2315/1 05.12.01
K	RE-DRAWN ECR50421 30-06-03
L	TERMINAL BLOCKS RENUMBERED ECR50524 09-12-03
M	ALTERNATIVE TRANSMITTER UNIT ADDED ECR50800 08-12-04
N	CABLE C8 WAS EXTERNAL SUPPLY CABLE C5 WAS FROM ADDITIVE ECR50886 28-04-05
P	TRANSMITTER SECURITY LINK ADDED TO TB1 ECR50992 30-03-06
Q	GLAND G1 WAS COBHAM ECR51005 23-05-06
R	DRG. UPDATED TO TO SUIT ROUND PULSER. ECR51038 31/08/06

SECTION OF POWER SUPPLY UNIT TO SHOW ROUTE OF CABLES. ALL CONNECTIONS TO BARRIER MUST PASS OVER CABLE SEPARATION SHEET AND ALL OTHERS UNDER AS SHOWN.

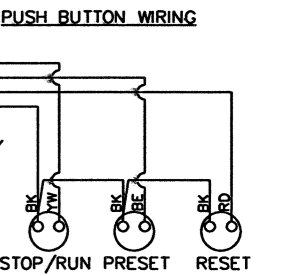


ENSURE LINKS ARE IN CORRECT POSITIONS FOR SUPPLY VOLTAGE  
230VAC - FIT LK3 ONLY  
110VAC - FIT LK4 & LK5 ONLY

ATEX Certified Product  
No changes to be made without the written approval of the Authorised Person



WIRE CODING	
ABBREVIATION	CORE COLOUR
BK	BLACK
BN	BROWN
RD	RED
OE	ORANGE
YW	YELLOW
GN	GREEN
BE	BLUE
VT	VIOLET
GY	GREY
WE	WHITE

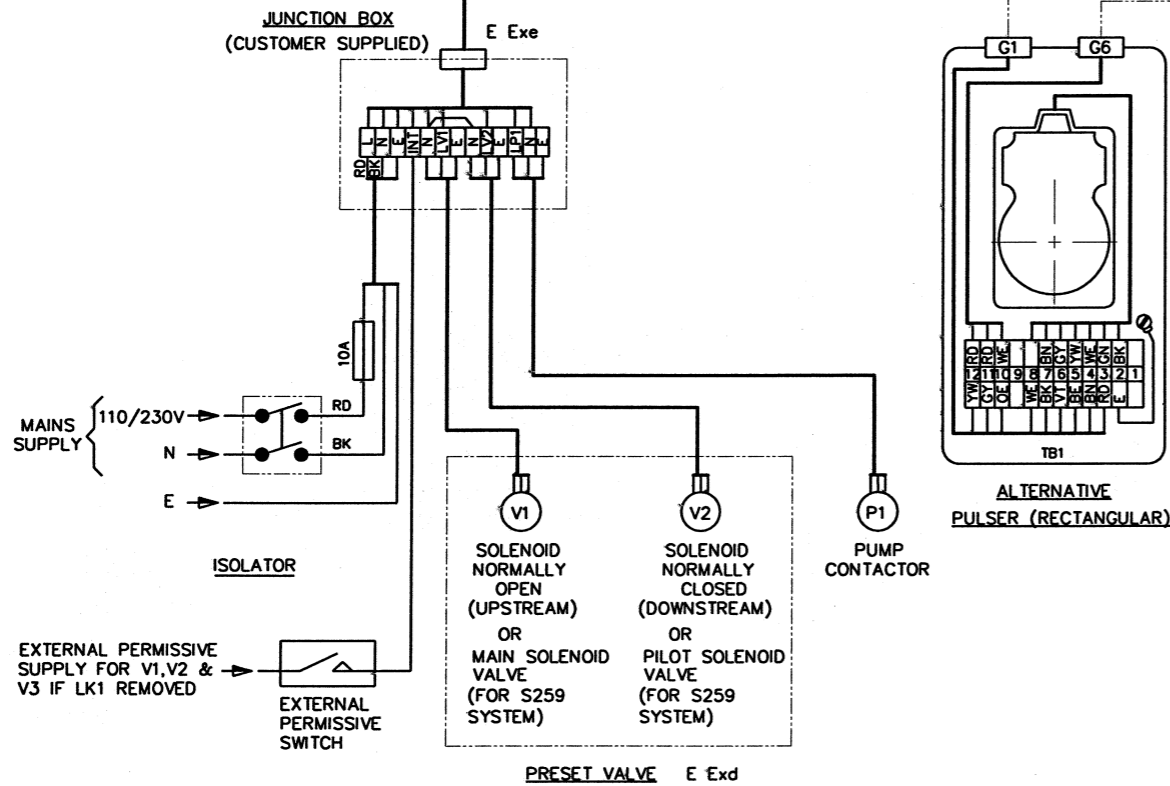


CABLE SCHEDULE	
CABLE I.D.	CABLE TYPE
C1	13A (CUSTOMER SUPPLY)
C2	12 CORE RMER12/16020/CSD 2.5A 50m (MAX)
C3	2 x TWISTED PAIR SCREENED DATA TRANSMISSION SUPPLIED BY CONTRACTOR 1.2KM (1200 BAUD) 400M (9600 BAUD)
C4	12 CORE RMER12/16020/CSD 2.5A 50m (MAX)
C5	2.5A (CUSTOMER SUPPLY)
C6	12 CORE RMER12/16020/CSD 2.5A 50m (MAX)
C7	12 CORE SCREENED SUPPLIED BY CONTRACTOR 2.5A 50m (MAX)
C8	13A (CUSTOMER SUPPLY)
C9	12 CORE RMER12/16020/CSD 2.5A 50m (MAX)

GLAND DATA		
GLAND No.	AVERY HARDOLL PART No.	DESCRIPTION
G1	ZMMZ0247-45	M20 double sheathed gland non-flameproof
G2	ZMMZ0247-43	M20 double sheathed gland flameproof
G3	SEE NOTE 5	M20 gland flameproof
G4	PPMZ9242	M20 blanking plug
G5	ZACZ0017-12 ZAFZ0010-20	1/2" BSP blanking plug Washer
G6	-	Supplied with temp probe kit

INSTALLATION NOTES

1. ALL CABLE INSTALLATIONS TO BE IN ACCORDANCE WITH EN60079-14
2. ALL CABLE ENTRIES TO BE FITTED WITH GLANDS AS INDICATED, UNUSED ENTRIES TO BE FITTED WITH G4
3. ALL CABLE SCREENS TO BE CONNECTED TO THE CASING OF THE UNIT BY THE GLANDS
4. ALL CASINGS TO BE BONDED TO EARTH.
5. GLANDS FOR CONTRACTOR SUPPLIED CABLES SHALL BE FLAMEPROOF, M20 AND SUITABLE FOR CABLE USED. ZMMZ0247-1 OR ZMMZ0247-43 MAY BE APPROPRIATE.
6. INTRINSICALLY SAFE (IS) EARTH CONNECTION TO BE MADE FROM UNDERSIDE OF BARRIER TO A HIGH INTEGRITY EARTH. THE IMPEDANCE FROM THE POINT OF CONNECTION TO THE MAIN POWER SYSTEM MUST BE LESS THAN 1 OHM



© 2003 This is an unpublished work the copyright of which vests in AVERY HARDOLL LTD all rights reserved. This document remains the property of AVERY HARDOLL LTD and contains confidential information that is proprietary to AVERY HARDOLL LTD and may not be disclosed or copied in whole or in part without the prior written permission of AVERY HARDOLL LTD  
AVERY HARDOLL LTD cannot be held liable for any consequences arising out of the use of this item for purposes other than that for which it is supplied.

TOLERANCES	
0 DEC PLACE	± 0.5
1 DEC PLACE	± 0.2
2 DEC PLACE	± 0.1
ANGULAR	± 0.5
UNSPECIFIED RADII M/C ONLY	0.4
UNLESS STATED OTHERWISE	

MATERIAL	SURFACE TEXTURE WHERE SHOWN THIS M/C
FINISH	PRESSURE TEST
REMOVE SHARP EDGES & BURRS	

Meggitt Fuelling Products  
Avery-Hardoll

DRG TO BE READ IN CONJUNCTION WITH BS 6888 & BS 3939  
DO NOT SCALE IF IN DOUBT-ASK

THIRD ANGLE PROJECTION  
DIMENSIONS IN mm UNLESS OTHERWISE STATED

DRAWN	BM
CHECKED	RM
APPROVED	KS
SCALE AT A1	NTS
WEIGHT	

TITLE  
MASTERLOAD MKII  
AC SYSTEM WIRING DIAGRAM

DRAWING NUMBER  
SCPD3107

SHT 1 OF 1 SHTS  
ISSUE  
R