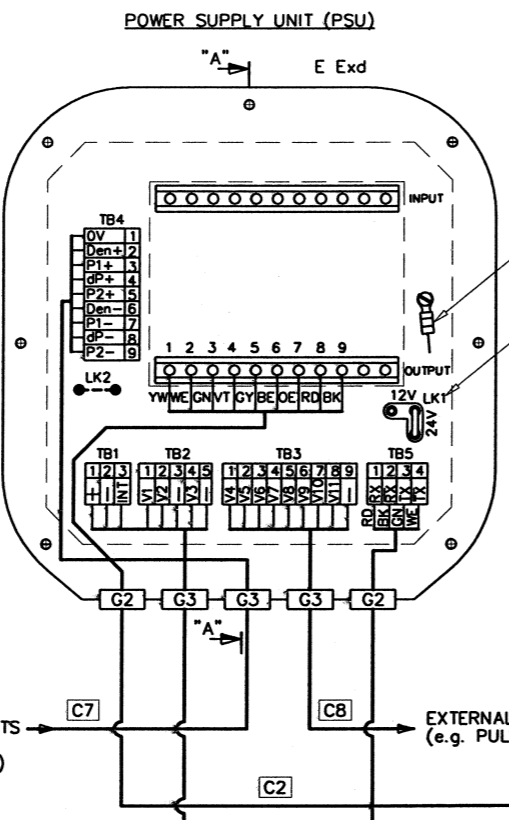
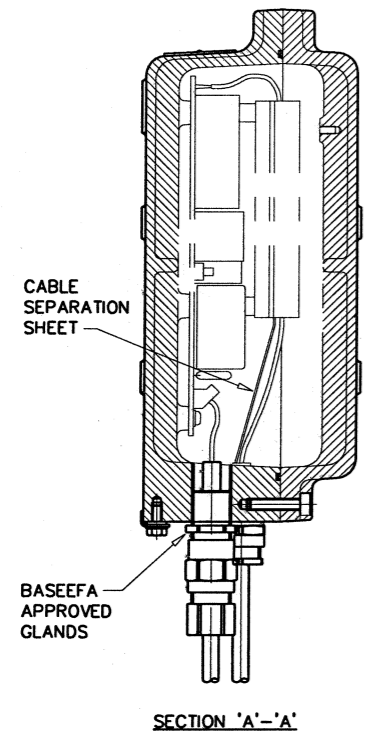


THIS DRG IS THE SUBJECT OF WRITTEN APPROVAL BY:

NO CHANGES TO BE MADE WITHOUT WRITTEN APPROVAL FROM THE AUTHORISED PERSON.

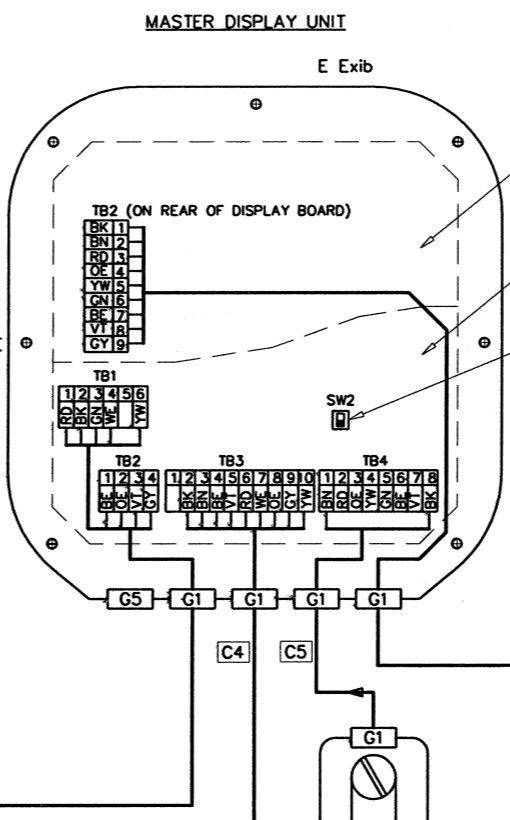
ISS.	ALTERATION
K	ECR2315/1 05.12.01
L	RE-DRAWN ECR50421 30-06-03
M	ALTERNATIVE TRANSMITTER UNIT ADDED ECR50800 08-12-04
N	CABLE C8 WAS INJECTORS/PUMPS ECR50886 28-04-05
P	TRANSMITTER SECURITY LINK ADDED TO TB1. DRG BORDER CHANGE. ECR50992 30-03-06
Q	GLAND G1 WAS COBHAM PINS ADDED ON PSU ECR51005 23-05-06
R	DRG UPDATED TO SUIT ROUND PULSER ECR51038 29-08-06

SECTION OF POWER SUPPLY UNIT TO SHOW ROUTE OF CABLES. ALL CONNECTIONS TO BARRIER MUST PASS OVER CABLE SEPARATION SHEET AND ALL OTHERS UNDER AS SHOWN.



SEE NOTE 6

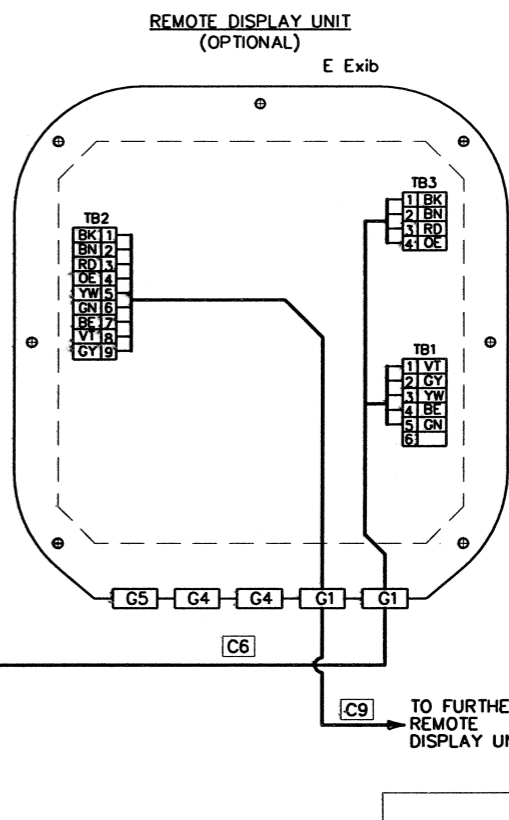
ENSURE LINK IS CORRECT FOR SUPPLY VOLTAGE



DISPLAY PCB

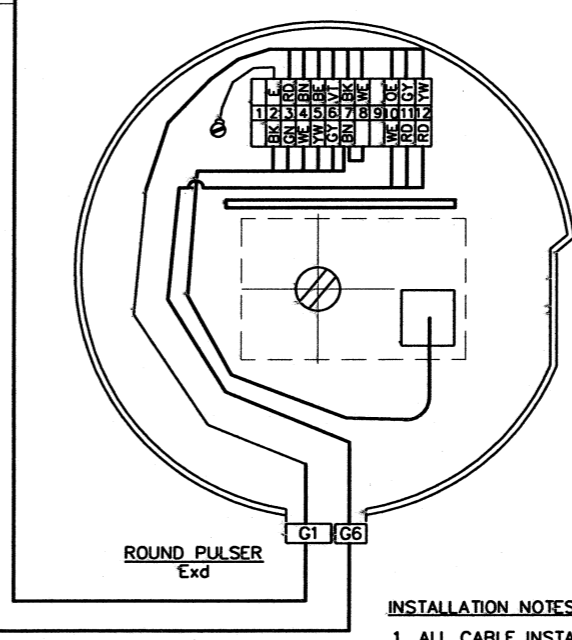
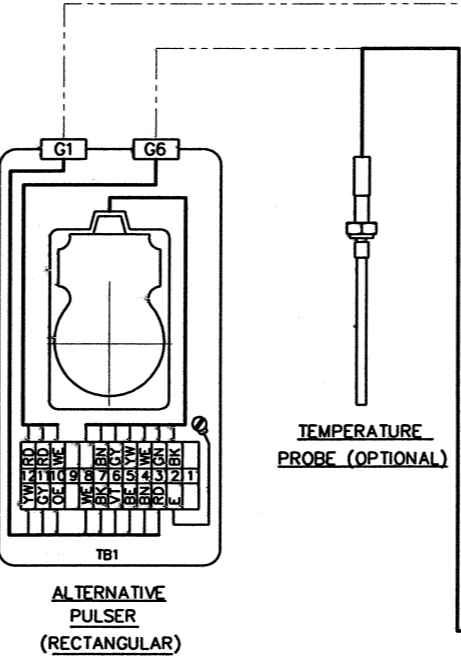
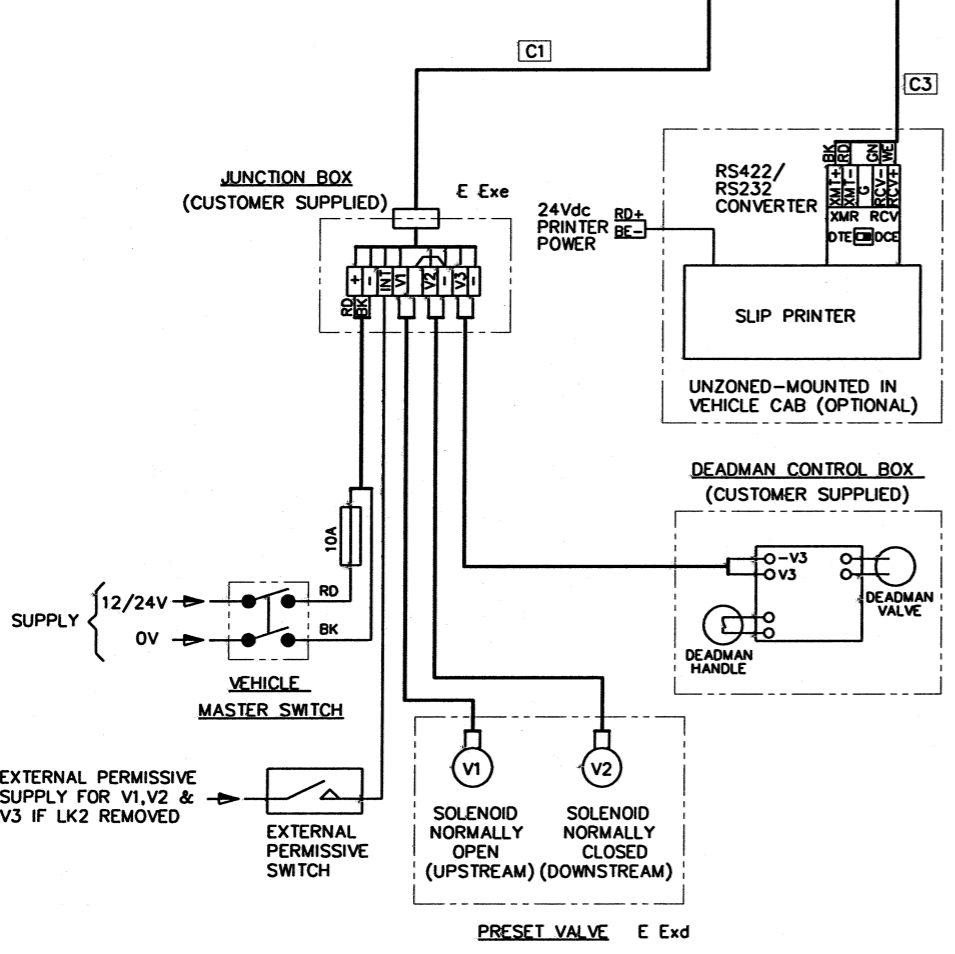
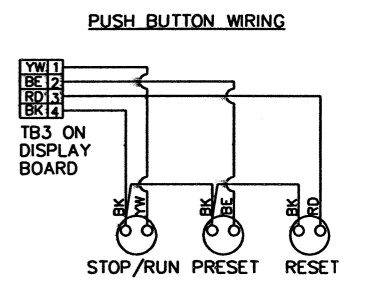
PROCESSOR PCB

FORWARD/REVERSE SWITCH



WIRE CODING

ABBREVIATION	CORE COLOUR
BK	BLACK
BN	BROWN
RD	RED
OE	ORANGE
YW	YELLOW
GN	GREEN
BE	BLUE
VT	VIOLET
GY	GREY
WE	WHITE



CABLE SCHEDULE

CABLE I.D.	CABLE TYPE
C1	13A (CUSTOMER SUPPLY)
C2	12 CORE RMER12/16020/CSD 2.5A 50m (MAX)
C3	SUPPLIED BY CONTRACTOR 1A 1.2KM (1200 BAUD) 400M (9600 BAUD)
C4	12 CORE RMER12/16020/CSD 2.5A 50m (MAX)
C5	2.5A (CUSTOMER SUPPLY)
C6	12 CORE RMER12/16020/CSD 2.5A 50m (MAX)
C7	12 CORE SCREENED SUPPLIED BY CONTRACTOR 2.5A 50m (MAX)
C8	13A (CUSTOMER SUPPLY)
C9	12 CORE RMER12/16020/CSD 2.5A 50m (MAX)

GLAND DATA

GLAND No.	AVERY HARDOLL PART No.	DESCRIPTION
G1	ZMMZ0247-45	M20 double sheathed gland non-flameproof
G2	ZMMZ0247-43	M20 double sheathed gland flameproof
G3	SEE NOTE 5	M20 gland flameproof
G4	PPM29242	M20 blanking plug
G5	ZACZ0017-12 ZAFZ0010-20	1/2" BSP blanking plug Washer
G6	-	Supplied with temp probe kit

INSTALLATION NOTES

1. ALL CABLE INSTALLATIONS TO BE IN ACCORDANCE WITH EN60079-14
2. ALL CABLE ENTRIES TO BE FITTED WITH GLANDS AS INDICATED, UNUSED ENTRIES TO BE FITTED WITH G4
3. ALL CABLE SCREENS TO BE CONNECTED TO THE CASING OF THE UNIT BY THE GLANDS
4. ALL CASINGS TO BE BONDED TO EARTH.
5. GLANDS FOR CONTRACTOR SUPPLIED CABLES SHALL BE FLAMEPROOF, M20 AND SUITABLE FOR CABLE USED. ZMMZ0247-1 OR ZMMZ0247-43 MAY BE APPROPRIATE.
6. INTRINSICALLY SAFE (IS) EARTH CONNECTION TO BE MADE FROM UNDERSIDE OF BARRIER TO A HIGH INTEGRITY EARTH. THE IMPEDANCE FROM THE POINT OF CONNECTION TO THE MAIN POWER SYSTEM (E.G. VEHICLE BATTERY) MUST BE LESS THAN 1 OHM

ATEX Certified Product

No changes to be made without the written approval of the Authorised Person

© 2005 This is an unpublished work the copyright of which vests in AVERY HARDOLL LTD all rights reserved. This document remains the property of AVERY HARDOLL LTD and contains confidential information that is proprietary to AVERY HARDOLL LTD and may not be disclosed or copied in whole or in part without the prior written permission of AVERY HARDOLL LTD

AVERY HARDOLL LTD cannot be held liable for any consequences arising out of the use of this item for purposes other than that for which it is supplied.

TOLERANCES

0 DEC PLACE	± 0.5
1 DEC PLACE	± 0.2
2 DEC PLACE	± 0.1
ANGULAR	± 0.5
UNSPECIFIED RADII M/C ONLY	0.4
UNLESS STATED OTHERWISE	

MATERIAL

FINISH

REMOVE SHARP EDGES & BURRS

SURFACE TEXTURE WHERE SHOWN THIS M/C

PRESSURE TEST

Meggitt Fuelling Products

Avery-Hardoll

DRG TO BE READ IN CONJUNCTION WITH BS 8888 & BS 3939

DO NOT SCALE IF IN DOUBT-ASK

THIRD ANGLE PROJECTION

DIMENSIONS IN mm UNLESS OTHERWISE STATED

DRAWN	TITLE	DRAWING NUMBER	SHT 1 OF 1 SHTS	ISSUE
BM	MASTERLOAD MKII DC SYSTEM WIRING DIAGRAM VEHICLE MOUNTED	SCPD3108		R
CHECKED RM				
APPROVED KS				
SCALE AT 1:1 NTS				
WEIGHT				