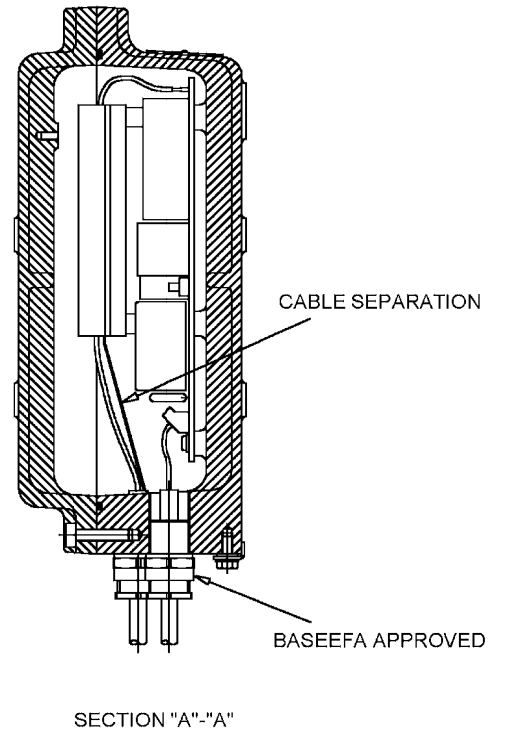


SECTION OF POWER SUPPLY UNIT TO SHOW ROUTE OF CABLES. ALL CONNECTIONS TO BARRIER MUST PASS OVER CABLE SEPARATION SHEET AND ALL OTHERS UNDER AS SHOWN.



WIRE CODING	
ABBREVIATION	CORE COLOUR
BK	BLACK
BN	BROWN
RD	RED
OE	ORANGE
YW	YELLOW
GN	GREEN
BE	BLUE
VT	VIOLET
GY	GREY
WE	WHITE
SN	SCREEN

CABLE DATA				
ITEM No	DESCRIPTION	MIN RATING	MAX LENGTH	A-H PART NUMBER
1	12 CORE SCREENED	2.5A	50 METRES	RMER12/16020/CS
2	SUPPLIED BY CONTRACTOR	10A	_____	_____

- NOTES
1. ALL CABLE INSTALLATIONS TO BE IN ACCORDANCE WITH BS5345 PARTS 1 & 3, AND BS6439 [ISO6551] 6.2 & 6.3.
  2. ALL CABLE ENTRIES TO BE FITTED WITH M20 CABLE GLANDS.
  3. ALL UNUSED CABLE ENTRIES ON POWER SUPPLY UNIT MUST BE FITTED WITH BASEEFA APPROVED BLANKING PLUGS.
  3. ALL CABLE SCREENS TO BE INSULATED FROM THE CASING OF THE UNITS.

Fig. 4.9 Electronic Repeater Wiring Diagram