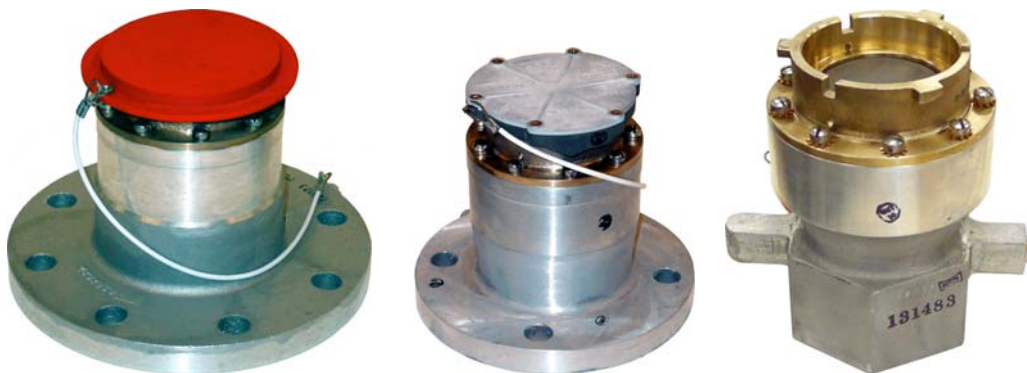


Illustrated Parts List

Quick-Disconnect Adapter F400 Series

[M400]



Whittaker Controls
12838 Saticoy Street
North Hollywood
CA 91605-3505
USA

Tel: +1 818 765 8160
Fax: +1 818 759 2194

www.wkr.com
www.meggitt.com

Avery-Hardoll
Holland Way
Blandford Forum
Dorset DT11 7BJ
UK

Tel: +44 (0) 1258 486600
Fax: +44 (0) 1258 486601

www.meggittfuelling.com
www.meggitt.com

MEGGITT

NOTICE: Proprietary information of Meggitt Fuelling Products. The information contained in this document is disclosed in confidence. It is the property of Meggitt Fuelling Products, and shall not be used, disclosed to others, or reproduced in whole or in part without the express written consent of Meggitt Fuelling Products. If consent is given this notice shall appear in any such reproduction. These commodities, technology or software were exported from the United States in accordance with the export administration regulations. Diversion contrary to U.S. law is prohibited.

Meggitt Fuelling Products
Illustrated Parts List
Quick-Disconnect Adapter – F400 Series

LIST OF EFFECTIVE PAGES

On a revised page, the portion of text or illustrations affected by the change is indicated by a vertical line in the outer margin of the page. When a revision is issued, the entire document is reissued with the current revision number and date shown on all pages. For major revisions, the basic number is incremented. For minor revisions, the number following the decimal is incremented. Dates of issue for original and subsequent revisions are as follows:

Original 1.0	05/15/2002
Revision 1.1	02/01/2006

The total number of pages in this technical document is 15 consisting of the following:

Title, 2 – 15

TABLE OF CONTENTS

SUBJECT	PAGE
Introduction	3
F417 – 3-Inch Quick-Disconnect Adapter	4
F418 – 4-Inch Quick-Disconnect Adapter	7
F419 – 2½-Inch Quick-Disconnect Adapter	10
F421 – 2½-Inch NPT Quick -Disconnect Adapter	13

Meggitt Fuelling Products
Illustrated Parts List
Quick-Disconnect Adapter – F400 Series

INTRODUCTION

1. General

This illustrated parts list lists, describes, and illustrates all detail parts required for maintenance support of the F417, F418, F419 and F421 series Quick-Disconnect Adapters.

2. Scope of Information

A. The parts list is arranged in the general order of disassembly. The listing is indented to show the relationship between each part and its next higher assembly. Item numbers used in the parts list are keyed to the corresponding numbers of the accompanying illustration.

B. MODIFICATION CODE

The modification code indicates the parts usage with respect to the end item. When the MODIFICATION CODE column is blank, the part usage is applicable to all versions unless otherwise specified in the DESCRIPTION column.

C. How to Identify a Part

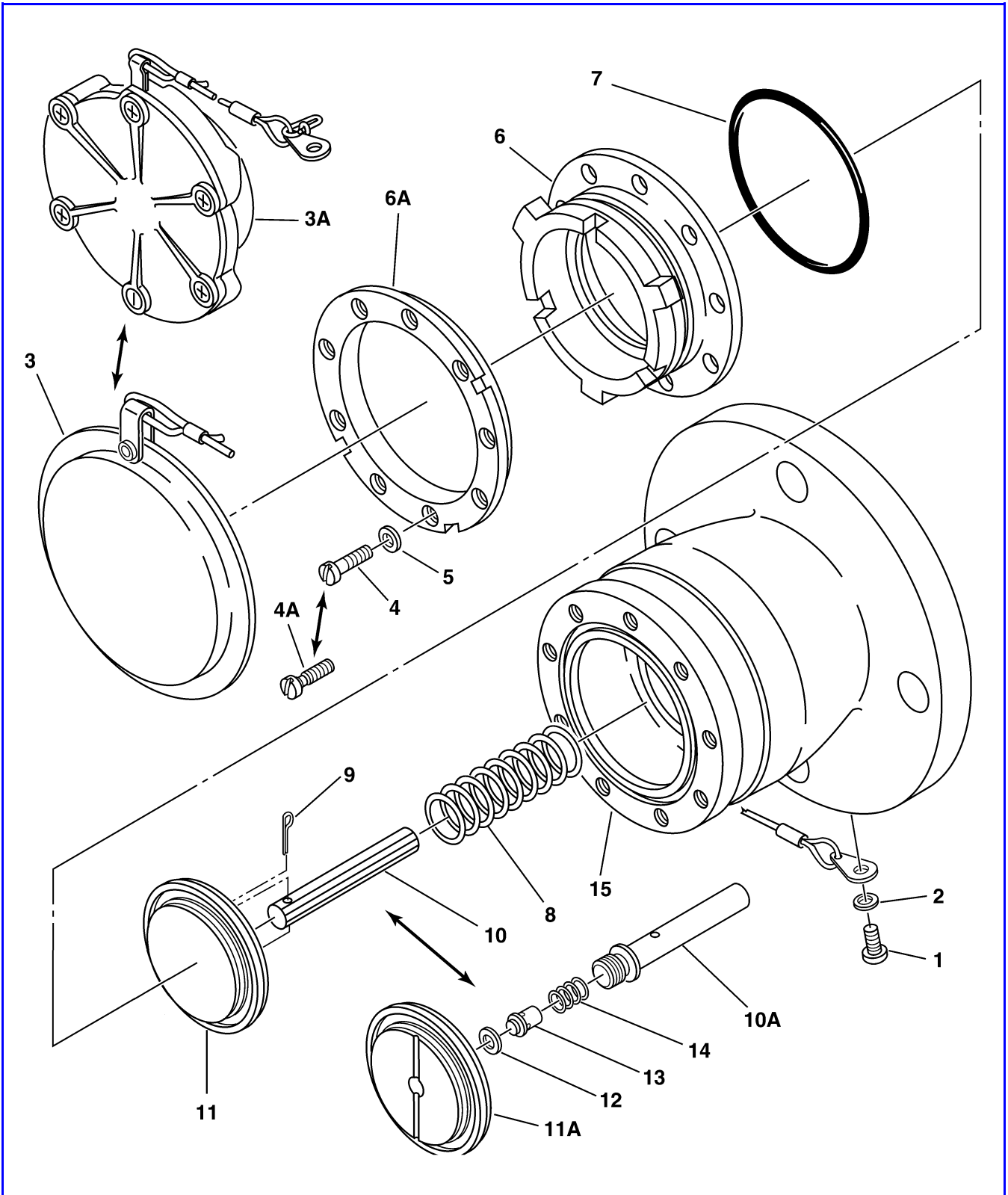
1) **When the part number is known:** Refer to the parts list for the item number, description, modification codes, and quantity. Refer to the illustration to verify the physical appearance and location of the part.

2) **When the part number is not known:** Review the illustrations to identify the part by physical appearance and location. Refer to the accompanying parts list to obtain the part number, description, modification codes, and quantity.

D. Abbreviations

ASSY	Assembly.
FIG.	Figure.
IPL	Illustrated Parts List.
MOD	Modification.

Meggitt Fuelling Products
 Illustrated Parts List
 Quick-Disconnect Adapter – F400 Series



IPL Figure 1. F417 3-Inch Quick-Disconnect Adapter

Meggitt Fuelling Products
Illustrated Parts List
Quick-Disconnect Adapter – F400 Series

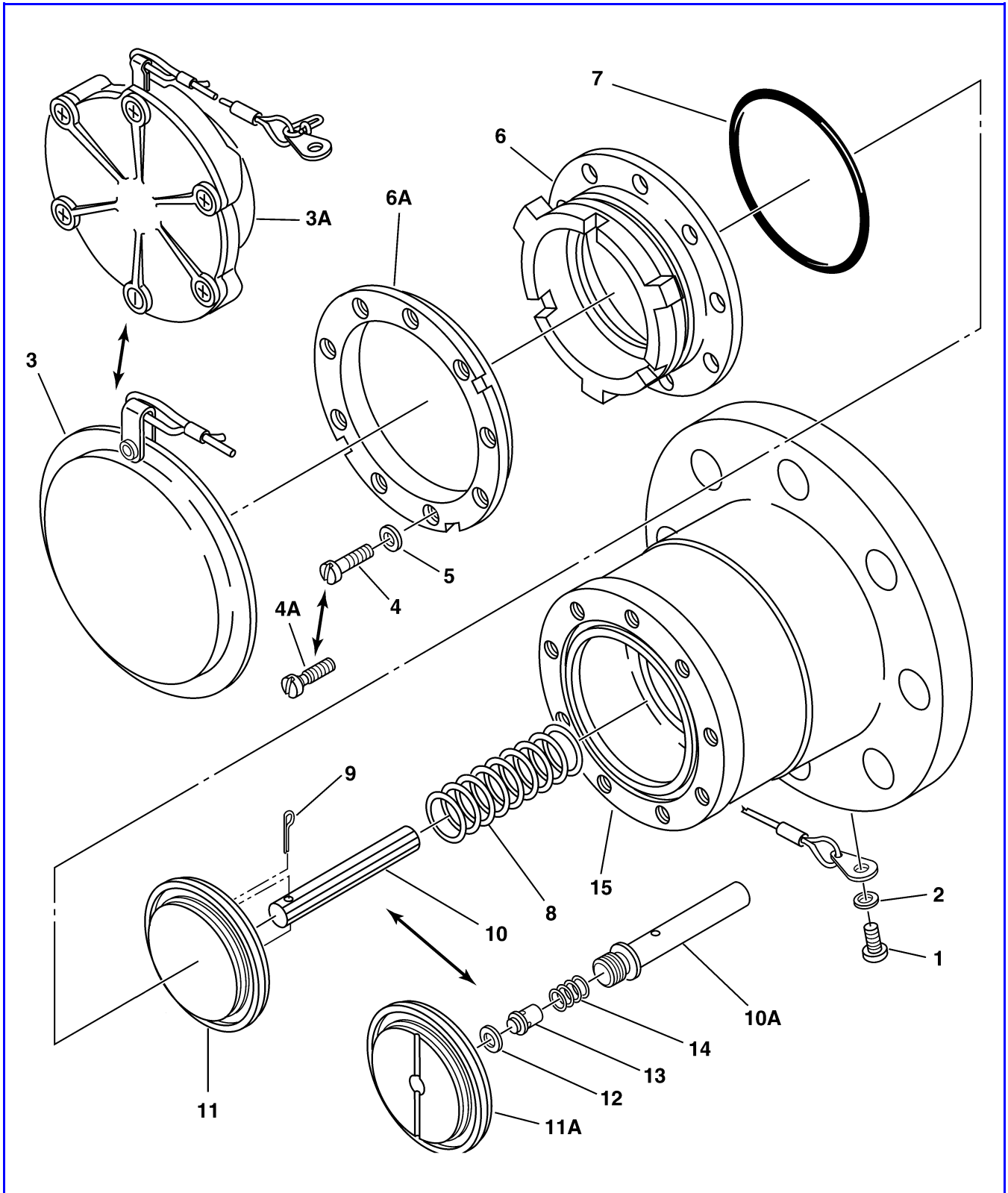
FIG. ITEM	PART NUMBER	DESCRIPTION 1 2 3 4 5 6 7	MOD CODES	UNITS PER ASSY
F417 QUICK-DISCONNECT ADAPTER				
1	F417 (Basic)	ADAPTER, QUICK-DISCONNECT, 3-inch		REF
1	CAN500A616-7	• SCREW, MACHINE		1
2	CAN935-616	• WASHER, LOCK		1
	CMS35338-46	• WASHER, LOCK (Alternate)		1
3	2682050	• COVER ASSEMBLY, PROTECTIVE (Not used on Mod C)		1
3A	F425	• CAP, PRESSURE SEALING	C	1
4	CMS35276-280	• SCREW, MACHINE		9
4A	2681245-1	• SCREW, SELF-LOCKING	E,F,G,H,J,K	9
5	7310-576481	• WASHER, FLAT (Not used on Mod E, F, G, H, J or K)		9
6	1427-595148-2	• FLANGE (Bronze)		1
	1427-595185-2	• FLANGE (With safety shear groove as illustrated)	A	1
6A	2681246-2	• RING, PRODUCT SELECTION (Positions 1, 2 and 3)	E,F,G	1
	2681246-1	• RING, PRODUCT SELECTION (Positions 4, 5 and 6)	H,J,K	1
7	2661058A237	• PACKING, PREFORMED		1
8	7-449-55	• SPRING, COMPRESSION		1
9	CMS24665-300	• PIN, COTTER (Not used on Mod R)		1
10	1427-585179	• SHAFT		1
10A	2712939	• SHAFT	R	1
11	1427-576849	• POPPET		1
11A	2712938	• POPPET	R	1
12	2681965	• GASKET	R	1
13	2712941	• PLUNGER	R	1
14	2-1349-46	• SPRING	R	1
15	2691442	• BODY, ADAPTER (Aluminum alloy)		1

Meggitt Fuelling Products
Illustrated Parts List
Quick-Disconnect Adapter – F400 Series

F417 QUICK-DISCONNECT ADAPTER VARIATIONS	
MOD LETTER	DESCRIPTION
A	Changes flange to flange with safety shear section.
C	Changes protective cap to pressure sealing cap.
E	Changes flange to product selection ring (set to Position 1).
F	Changes flange to product selection ring (set to Position 2).
G	Changes flange to product selection ring (set to Position 3).
H	Changes flange to product selection ring (set to Position 4).
J	Changes flange to product selection ring (set to Position 5).
K	Changes flange to product selection ring (set to Position 6).
R	Changes poppet to poppet with safety pressure relief valve.

F417 QUICK-DISCONNECT ADAPTER MAINTENANCE NOTES	
NOTE	MAINTENANCE INFORMATION
1	Suitable for use with any automotive or aviation fuel.
2	Operating pressure range: 0 to 120 psi.
3	Ambient temperature: –65 to 160°F / Fluid temperature: –65 to 135°F.
4	Rated flow: 600 gpm maximum (fueling or de-fueling).
5	During maintenance, make sure that the ends of the cotter pin (9) are tightly formed around the boss of the poppet (11) so that it cannot come in contact with the spring (8) when it is operated.
6	For Mod R, use thread locking compound on the threads of the shaft (10A).

Meggitt Fuelling Products
Illustrated Parts List
Quick-Disconnect Adapter – F400 Series



IPL Figure 2. F418 4-Inch Quick-Disconnect Adapter

Meggitt Fuelling Products
Illustrated Parts List
Quick-Disconnect Adapter – F400 Series

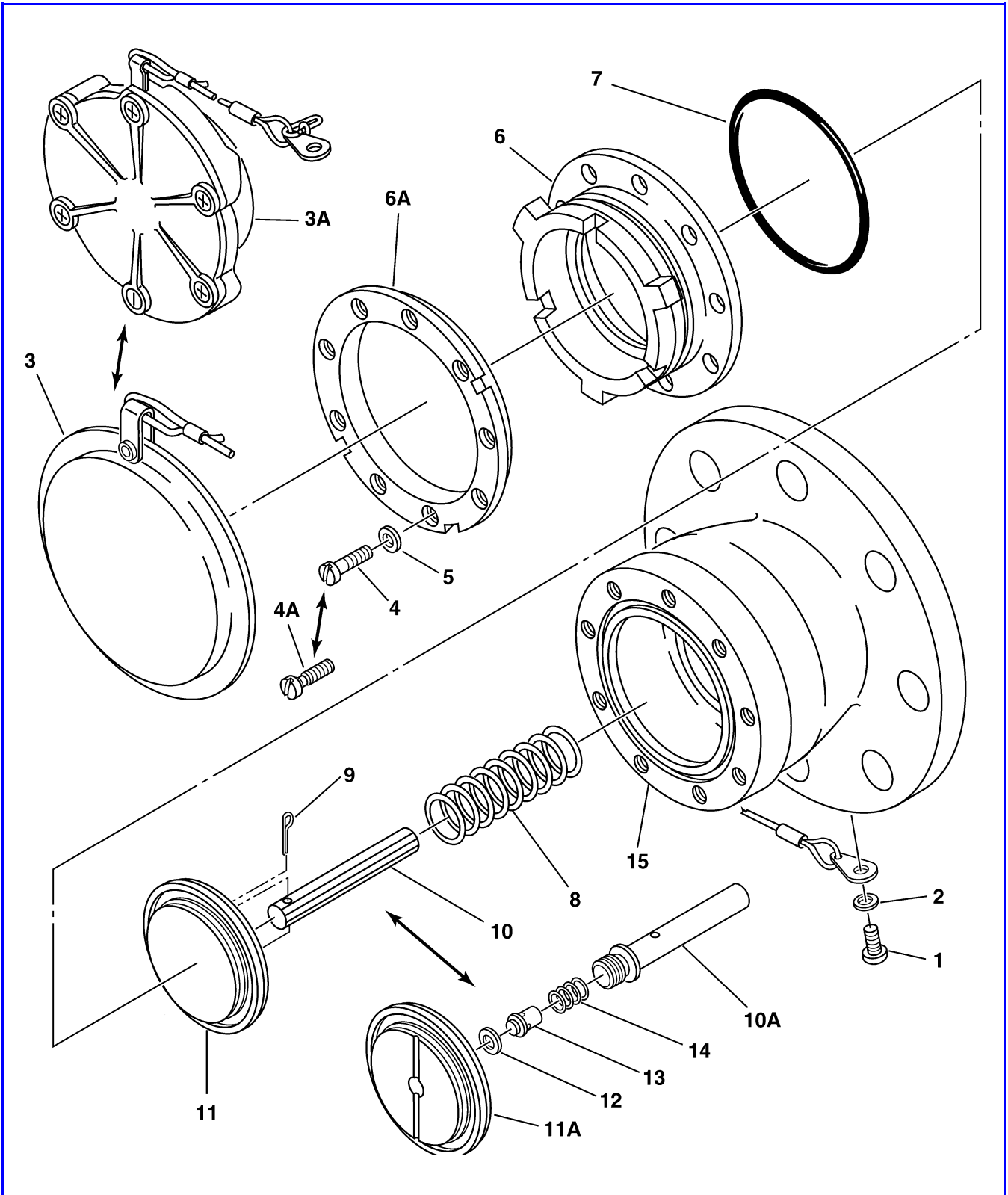
FIG. ITEM	PART NUMBER	DESCRIPTION 1 2 3 4 5 6 7	MOD CODES	UNITS PER ASSY
F418 QUICK-DISCONNECT ADAPTER				
2	F418 (Basic)	ADAPTER, QUICK-DISCONNECT, 4-inch		REF
1	CAN500A616-7	• SCREW, MACHINE (Not used on Mod S)		1
2	CAN935-616	• WASHER, LOCK (Not used on Mod S) . .		1
	CMS35338-46	• WASHER, LOCK (Alternate) (Not used on Mod S)		1
3	2682050	• COVER ASSEMBLY, PROTECTIVE (Not used on Mod C)		1
3A	F425	• CAP, PRESSURE SEALING	C	1
4	CMS35276-280	• SCREW, MACHINE		9
4A	2681245-1	• SCREW, SELF-LOCKING	E,F,G,H,J,K	9
5	7310-576481	• WASHER, FLAT (Not used on Mod E, F, G, H, J or K)		9
6	1427-595148-2	• FLANGE (Bronze)		1
	1427-595185-2	• FLANGE (Safety shear)	A	1
6A	2681246-2	• RING, PRODUCT SELECTION (Positions 1, 2 and 3)	E,F,G	1
	2681246-1	• RING, PRODUCT SELECTION (Positions 4, 5 and 6)	H,J,K	1
7	2661058A237	• PACKING, PREFORMED		1
8	7-449-55	• SPRING, COMPRESSION		1
9	CMS24665-300	• PIN, COTTER (Not used on Mod R)		1
10	1427-585179	• SHAFT		1
10A	2712939	• SHAFT	R	1
11	1427-576849	• POPPET		1
11A	2712938	• POPPET	R	1
12	2681965	• GASKET	R	1
13	2712941	• PLUNGER	R	1
14	2-1349-46	• SPRING	R	1
15	2691501-1	• BODY, ADAPTER (Aluminum alloy)		1
	2691501-2	• BODY, ADAPTER (Aluminum alloy)	S	1

Meggitt Fuelling Products
Illustrated Parts List
Quick-Disconnect Adapter – F400 Series

F418 QUICK-DISCONNECT ADAPTER VARIATIONS	
MOD LETTER	DESCRIPTION
A	Changes flange to flange with safety shear section.
C	Changes protective cap to pressure sealing cap.
E	Changes flange to product selection ring (set to Position 1).
F	Changes flange to product selection ring (set to Position 2).
G	Changes flange to product selection ring (set to Position 3).
H	Changes flange to product selection ring (set to Position 4).
J	Changes flange to product selection ring (set to Position 5).
K	Changes flange to product selection ring (set to Position 6).
R	Changes poppet to poppet with safety pressure relief valve.
S	Changes body to body for 4-inch TTMA flange

F418 QUICK-DISCONNECT ADAPTER MAINTENANCE NOTES	
NOTE	MAINTENANCE INFORMATION
1	Suitable for use with any automotive or aviation fuel.
2	Operating pressure range: 0 to 60 psi.
3	Ambient temperature: –65 to 160°F / Fluid temperature: –65 to 135°F.
4	Rated flow: 600 gpm maximum (fueling or de-fueling).
5	During maintenance, make sure that the ends of the cotter pin (9) are tightly formed around the boss of the poppet (11) so that it cannot come in contact with the spring (8) when it is operated.
6	For Mod R, use thread locking compound on the threads of the shaft (10A).

Meggitt Fuelling Products
Illustrated Parts List
Quick-Disconnect Adapter – F400 Series



IPL Figure 3. F419 2½-Inch Quick-Disconnect Adapter

Meggitt Fuelling Products
Illustrated Parts List
Quick-Disconnect Adapter – F400 Series

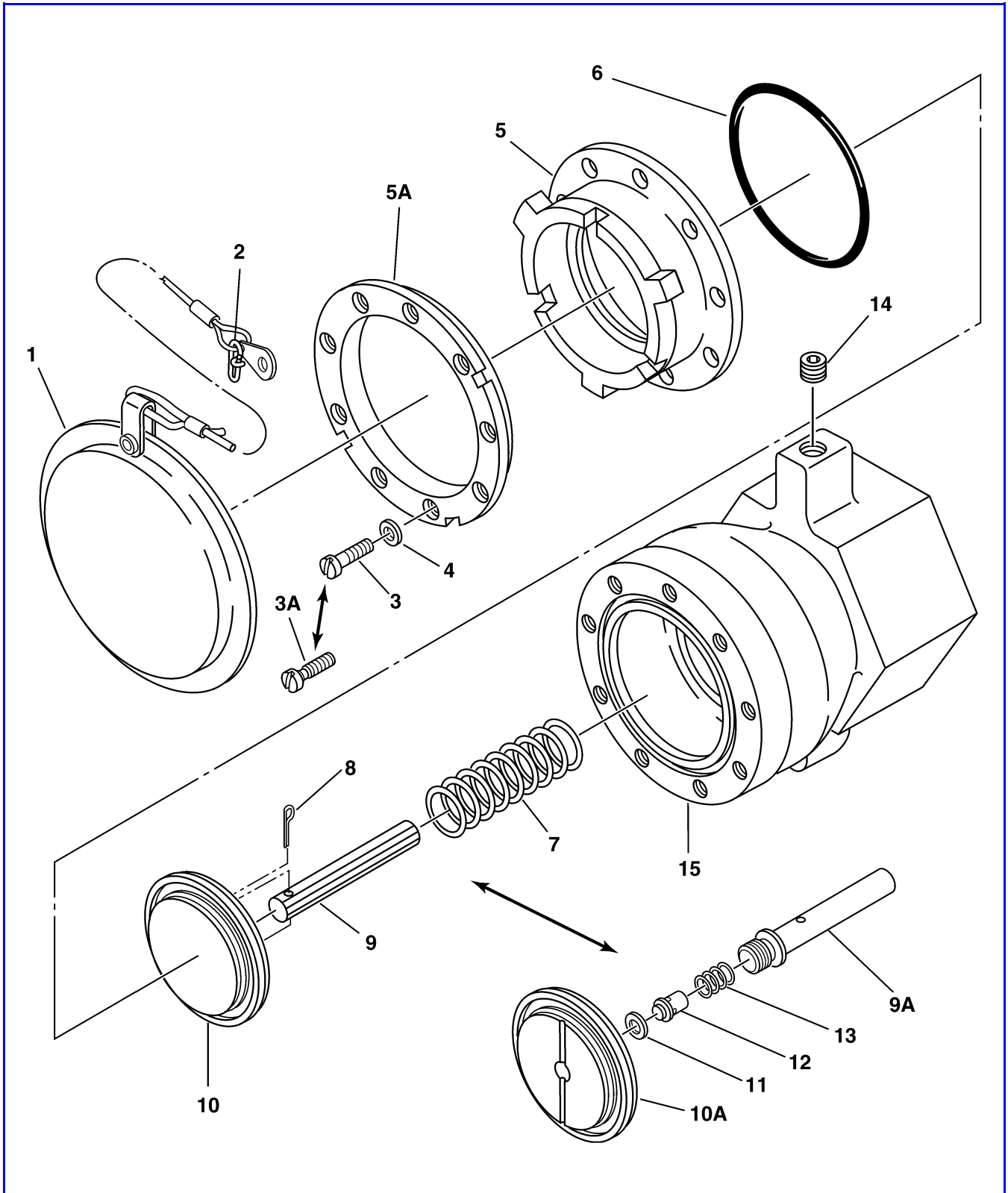
FIG. ITEM	PART NUMBER	DESCRIPTION 1 2 3 4 5 6 7	MOD CODES	UNITS PER ASSY
F419 QUICK-DISCONNECT ADAPTER				
3	F419 (Basic)	ADAPTER, QUICK-DISCONNECT, 2½-inch		REF
1	CAN500A616-7	• SCREW, MACHINE		1
2	CAN935-616	• WASHER, LOCK		1
	CMS35338-46	• WASHER, LOCK (Alternate)		1
3	2682050	• COVER ASSEMBLY, PROTECTIVE		1
		(Not used on Mod C)		
3A	F425	• CAP, PRESSURE SEALING	C	1
4	CMS35276-280	• SCREW, MACHINE		9
4A	2681245-1	• SCREW, SELF-LOCKING	E,F,G,H,J,K	9
5	7310-576481	• WASHER, FLAT (Not used on Mod E, F, G, H, J or K)		9
6	1427-595148-2	• FLANGE (Bronze)		1
	1427-595185-2	• FLANGE (Safety shear)	A	1
6A	2681246-2	• RING, PRODUCT SELECTION	E,F,G	1
		(Positions 1, 2 and 3)		
	2681246-1	• RING, PRODUCT SELECTION	H,J,K	1
		(Positions 4, 5 and 6)		
7	2661058A237	• PACKING, PREFORMED		1
8	F60F1738	• SPRING, COMPRESSION		1
9	CMS24665-300	• PIN, COTTER (Not used on Mod R)		1
10	1427-585179	• SHAFT		1
10A	2712939	• SHAFT	R	1
11	1427-576849	• POPPET		1
11A	2712938	• POPPET	R	1
12	2681965	• GASKET	R	1
13	2712941	• PLUNGER	R	1
14	2-1349-46	• SPRING	R	1
15	2691438	• BODY, ADAPTER (Aluminum alloy)		1
16	1426-586030	• BRACKET	C	1

Meggitt Fuelling Products
Illustrated Parts List
Quick-Disconnect Adapter – F400 Series

F419 QUICK-DISCONNECT ADAPTER VARIATIONS	
MOD LETTER	DESCRIPTION
A	Changes flange to flange with safety shear section.
C	Changes protective cap to pressure sealing cap.
E	Changes flange to product selection ring (set to Position 1).
F	Changes flange to product selection ring (set to Position 2).
G	Changes flange to product selection ring (set to Position 3).
H	Changes flange to product selection ring (set to Position 4).
J	Changes flange to product selection ring (set to Position 5).
K	Changes flange to product selection ring (set to Position 6).
R	Changes poppet to poppet with safety pressure relief valve.

F419 QUICK-DISCONNECT ADAPTER MAINTENANCE NOTES	
NOTE	MAINTENANCE INFORMATION
1	Suitable for use with any automotive or aviation fuel.
2	Operating pressure range: 0 to 120 psi.
3	Ambient temperature: –65 to 160°F / Fluid temperature: –65 to 135°F.
4	During maintenance, make sure that the ends of the cotter pin (9) are tightly formed around the boss of the poppet (11) so that it cannot come in contact with the spring (8) when it is operated.
5	For Mod R, use thread locking compound on the threads of the shaft (10A).

Meggitt Fuelling Products
Illustrated Parts List
Quick-Disconnect Adapter – F400 Series



IPL Figure 4. F421 2½-Inch NPT Quick-Disconnect Adapter

Meggitt Fuelling Products
Illustrated Parts List
Quick-Disconnect Adapter – F400 Series

FIG. ITEM	PART NUMBER	DESCRIPTION 1 2 3 4 5 6 7	MOD CODES	UNITS PER ASSY
F421 QUICK-DISCONNECT ADAPTER				
4	F421 (Basic)	ADAPTER, QUICK-DISCONNECT, 2½-inch NPT		REF
1	2682050	• COVER ASSEMBLY, PROTECTIVE		1
2	1429-512631	• HOOK, CHAIN	D,E,F,G,H,J	1
3	CAN501-416-10	• SCREW, MACHINE		9
	2681245-1	• SCREW, SELF-LOCKING	D,E,F,G,H,J	9
4	CMS35335-89	• WASHER, LOCK (Not used on Mod E, F, G, H, J or K)		9
5	1427-595148-2	• FLANGE (Bronze)		1
5A	2681246-2	• RING, PRODUCT SELECTION (Positions 1, 2 and 3)	D,E,F	1
	2681246-1	• RING, PRODUCT SELECTION (Positions 4, 5 and 6)	G,H,J	1
6	2661058A237	• PACKING, PREFORMED		1
7	F60F1738	• SPRING, COMPRESSION		1
8	CMS24665-300	• PIN, COTTER (Not used on Mod C)		1
9	1427-585179	• SHAFT		1
9A	2712939	• SHAFT	C	1
10	1427-576849	• POPPET		1
10A	2712938	• POPPET	C	1
11	2681965	• GASKET	C	1
12	2712941	• PLUNGER	C	1
13	2-1349-46	• SPRING	C	1
14	CAN932-3	• PLUG		1
15	2691723	• BODY, ADAPTER (Aluminum alloy)		1

Meggitt Fuelling Products
Illustrated Parts List
Quick-Disconnect Adapter – F400 Series

F421 QUICK-DISCONNECT ADAPTER VARIATIONS	
MOD LETTER	DESCRIPTION
C	Changes poppet to poppet with safety pressure relief valve.
D	Changes flange to product selection ring (set to Position 1).
E	Changes flange to product selection ring (set to Position 2).
F	Changes flange to product selection ring (set to Position 3).
G	Changes flange to product selection ring (set to Position 4).
H	Changes flange to product selection ring (set to Position 5).
J	Changes flange to product selection ring (set to Position 6).

F421 QUICK-DISCONNECT ADAPTER MAINTENANCE NOTES	
NOTE	MAINTENANCE INFORMATION
1	Suitable for use with any automotive or aviation fuel.
2	Operating pressure range: 0 to 120 psi.
3	Ambient temperature: –65 to 160°F / Fluid temperature: –65 to 135°F.
4	May be used with any standard nozzle conforming to MS29520-1.
5	During maintenance, make sure that the ends of the cotter pin (7) are tightly formed around the boss of the poppet (9) so that it cannot come in contact with the spring (6) when it is operated.
6	For Mod C, use thread locking compound on the threads of the shaft (8A).
7	For Mods D, E, F, G, H and J, wrap one full turn of #2/0 or #00 safety chain (plated steel, stainless steel, or brass) around the throat of the adapter body (14) and insert the insert the cable hook of the protective cover (1), the bracket and both links of the chain.