

Fuelling products

Pressure refuelling nozzles

F145 series

F145 Pressure refuelling nozzle



The F145 single point nozzle is smaller and lighter in weight, yet maintains the strength, durability and robust design characteristics of the F116/F117 and HU3000/HU4000 series nozzles. The F145 provides a positive leak-tight connection to the aircraft adapter during fuelling operations. It has been designed to use all of the same accessories that are currently available on the F116/F117 series nozzles and is therefore able to be configured to meet any application.

Additional features

- Floating nose seal design, tolerant to temperature, worn adapters and abuse.
- Dual 3/8" NPT ports available for sampling and vacuum breaker.
- Positive interlock mechanism, internal to the nozzle body. Nozzle cannot be opened unless connected to an aircraft adapter and cannot be removed unless operating lever is in the closed position.
- Operating lever fully protected by a sacrificial wear block. Replaceable by removing a single bolt. Operating lever knob made from a sacrificial material and easily replaced.
- Optional sacrificial wear block, available for additional protection.
- Hose end control valves available in 35 psi, 45 psi, 50 psi and 55 psi.
- Easy to operate swivel dry disconnect available for strainer check.
- Net weight of basic nozzle - 6.2 Pounds (2.81 KGS).

Key features

- Designed and independently tested to SAE specification AS5877
- Available with 3 or 6 slot connector, which mates to the standard 3-lug international aircraft adapter
- Accepts all the same accessories as both the F116 and F117 nozzles
- Nose seal is interchangeable with the F117 and F116 nozzles
- Handles are interchangeable with the F117 nozzle
- Easily rotating swivel built into the nozzle body, separate from the quick disconnect
- No scheduled lubrication of the swivel. Swivel is lubricated by the product passing through the nozzle
- Poppet does not require adjustment
- Maximum operating pressure - (150 psig), (10.3 bar)
- Operating temperature range - (- 40 to 165 F), (- 40 to 74C)

Contact

Meggitt Control Systems
12838 Saticoy St
North Hollywood
California 91605-3505
USA
Telephone: (818) 765-8160
FAX: (818) 759-2194
www.meggitt.com

Meggitt Control Systems

Our product competencies & services:

Aerospace valves | Thermal management solutions | Environmental control systems | Electro-mechanical products

Ground fuelling products | Energy products | Aftermarket services

MEGGITT
smart engineering for
extreme environments

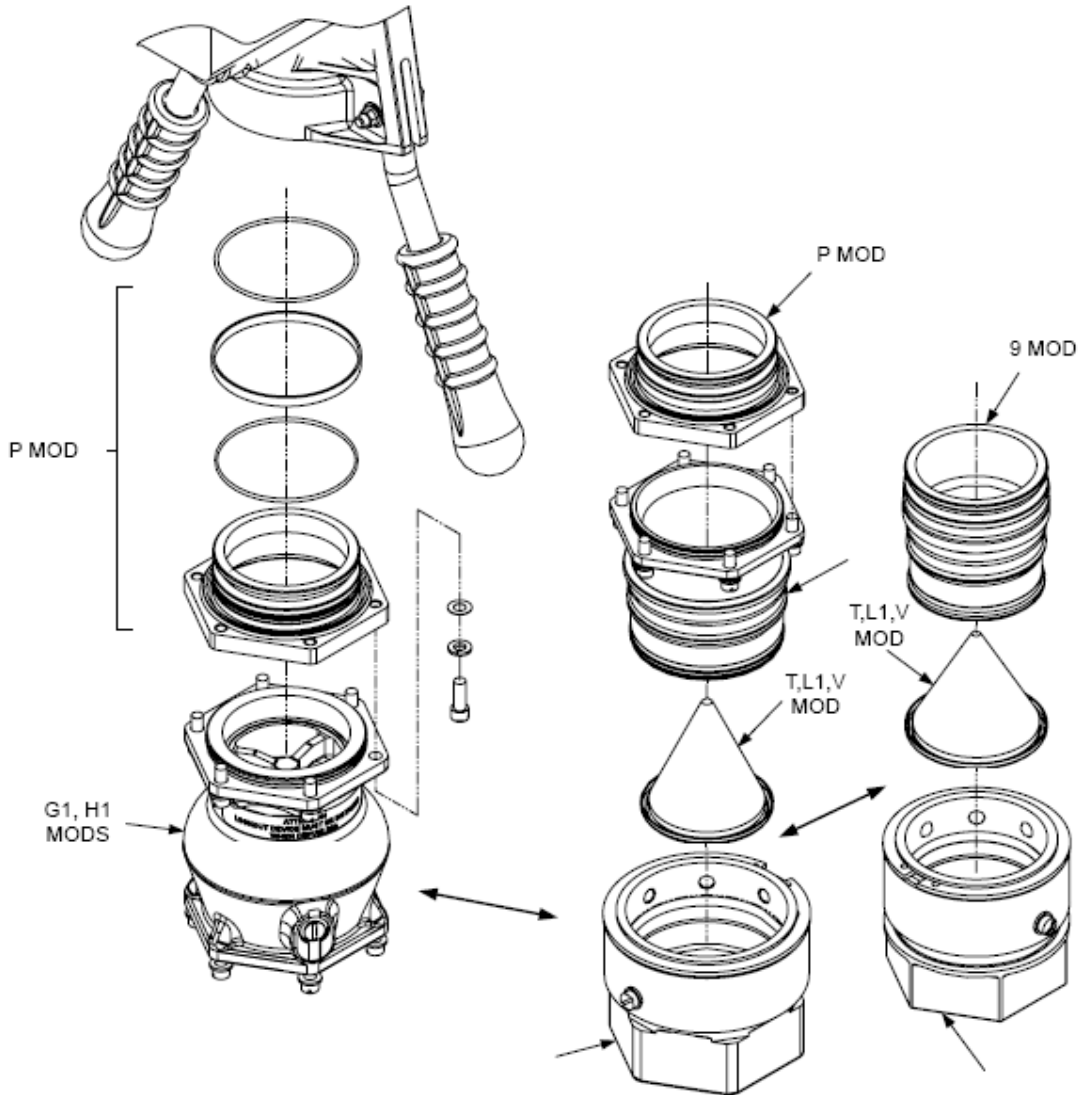


Fuelling products

Pressure refuelling nozzles

F145 series

F145 MODS



Meggitt Control Systems

Our product competencies & services:
Aerospace valves | Thermal management solutions | Environmental control systems | Electro-mechanical products
Ground fuelling products | Energy products | Aftermarket services

MEGGITT
smart engineering for
extreme environments



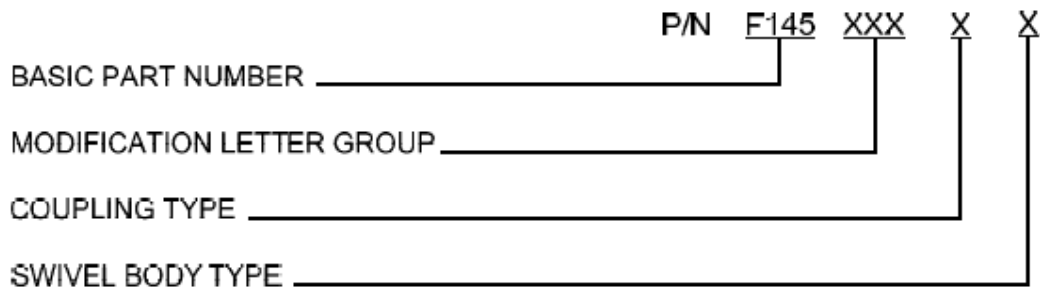
Fuelling products

Pressure refuelling nozzles

F145 series

1. Model Variations

The F145 series nozzle is a straight-in fuelling nozzle with a swivel inlet. It is equipped with bicycle-type grip handles and a dust cover. A flanged swivel adapter is not supplied with the basic nozzle, but can be ordered as a variation. Refer to Tables 2, 3, and 4 for the available F145 series nozzle variations. An explanation of the F145 series part numbering system is as follows:



P/N Examples: F145APV7A – This three (3) slot nozzle is equipped with a ground cable and has a flanged swivel adapter and a 100 mesh strainer. The coupling is 2.5 inch aluminum with wire raceways to mate with the F582 swivel body. The swivel body has a 2.5 inch NPT inlet.

F145BPJV7B – This six (6) slot nozzle is equipped with a vacuum breaker and has a flanged swivel adapter and a 100 mesh strainer. The coupling is 2.5 inch aluminum with wire raceways to mate with the F582 swivel body. The swivel body has a 2.5 inch BSPPL inlet.

Meggitt Control Systems

Our product competencies & services:
 Aerospace valves | Thermal management solutions | Environmental control systems | Electro-mechanical products
 Ground fuelling products | Energy products | Aftermarket services



Fuelling products

Pressure refuelling nozzles

F145 series

Nozzle Variations (Mod Code Group after F145)

Examples: F145**AP**V7A, F145**BG**7A

NOZZLE MOD LETTER	DESCRIPTION
A	Adds Ground Cable
B	Adds Vacuum Breaker
C	Changes to Stirrup Handles
D	Change nose seal to F117 (1 Piece)
E	Ring Handles
F	Adds Drag Ring
G1	Adds 45PSI HECV (Flanged)
G2	Adds 45PSI HECV (Integral Swivel)
H1	Adds 35PSI HECV (Flanged)
H2	Adds 35PSI HECV (Integral Swivel)
J	Six (6) Slot Configuration
K	Changes to 10" Long Handles
L1	Adds 50PSI HECV (Flanged)
L2	Adds 50PSI HECV (Integral Swivel)
M	Adds 0-100PSI Pressure Gauge
N1	Adds 55PSI HECV (Flanged)
N2	Adds 55PSI HECV (Integral Swivel)
P	Adds Flanged Swivel Adapter
Q	
R	
S	Interlock Storage Bracket
T	Adds 40 Mesh Strainer
U	Adds 60 Mesh Strainer
V	Adds 100 Mesh Strainer
W	
X	
Y	
Z	

Meggitt Control Systems

Our product competencies & services:

Aerospace valves | Thermal management solutions | Environmental control systems | Electro-mechanical products

Ground fuelling products | Energy products | Aftermarket services

Fuelling products

Pressure refuelling nozzles

F145 series

Table 3 Coupling Variations (Type Number between the Mod and Type Letter Groups)

Examples: F145APV7A (Basic model w/ grounding cable, swivel adapter flange, 100 mesh 3" strainer, F582E coupling assembly with 2-1/2 NPT inlet,

COUPLING TYPE NUMBER	DESCRIPTION
3	Standard 3-inch aluminum coupling with corrosion resistant steel wire races to mate with F575/F584 swivel body (uses 3-inch strainer) *When ordering less HECV must include "P" modification
4	Standard 3-inch aluminum coupling with corrosion resistant steel wire races to mate with F596 dry disconnect swivel assembly (uses 3-inch strainer) *When ordering less HECV must include "P" modification
6	Standard 2 ½ inch aluminum coupling with corrosion resistant steel wire races to mate with F1516 dry disconnect swivel body (uses 2 ½ inch strainer) *When ordering less HECV must include "P" modification
7	Standard 2 ½ inch aluminum coupling with corrosion resistant steel wire races to mate with F577/F582 swivel body (uses 2 ½ inch strainer) *When ordering less HECV must include "P" modification
8	Adds F1516 dry disconnect with integral coupling *Option can only be ordered less HECV mod
9	Adds 2 ½ integral coupling, straight *Option can only be ordered less HECV mod

Meggitt Control Systems

Our product competencies & services:
Aerospace valves | Thermal management solutions | Environmental control systems | Electro-mechanical products
Ground fuelling products | Energy products | Aftermarket services





Fuelling products

Pressure refuelling nozzles

F145 series

Table 4 Swivel Body Inlet Variations (End Type Letter)

Examples: F145APV7A

SWIVEL BODY TYPE LETTER	DESCRIPTION
A	2 ½ - inch ANPT inlet. Available for couplings types 3, 4, 6 or 7 only
B	2 ½ - inch BSPPL inlet. Available for couplings types 3, 4, 6 or 7 only
C	3-inch ANPT inlet. Available for couplings types 3, 4, 6 or 7 only
D	2-inch ANPT inlet. Available for couplings types 3, 4, 6 or 7 only
E	3-inch BSPPL inlet. Available for couplings types 3, 4, 6 or 7 only
F	2-inch BSPPL inlet. Available for coupling type 6 only
G	3-inch BSPPL inlet. Available for coupling type 7 only
K	4-inch ANPT inlet. Available for coupling type 7 only
T	2-inch female Camlock inlet. Available for coupling type 7 only
U	4-inch female Camlock inlet. Available for coupling type 7 only
V	3 ½ -inch ANPT inlet. Available for coupling type 7 only
X	2-inch BSPPL inlet. Available for coupling type 7 only

Meggitt Control Systems

Our product competencies & services:

Aerospace valves | Thermal management solutions | Environmental control systems | Electro-mechanical products

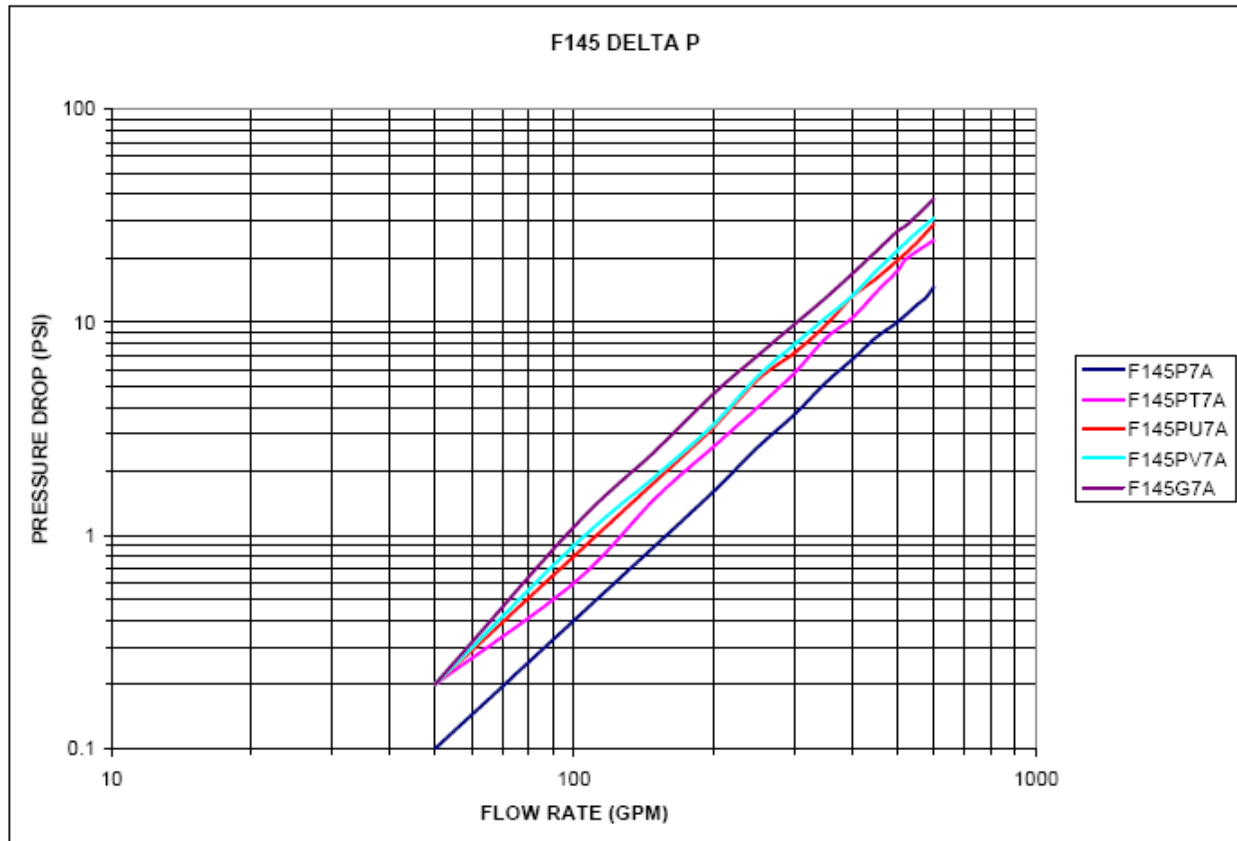
Ground fuelling products | Energy products | Aftermarket services



Fuelling products

Pressure refuelling nozzles

F145 series



Meggitt Control Systems

Our product competencies & services:
Aerospace valves | Thermal management solutions | Environmental control systems | Electro-mechanical products
Ground fuelling products | Energy products | Aftermarket services