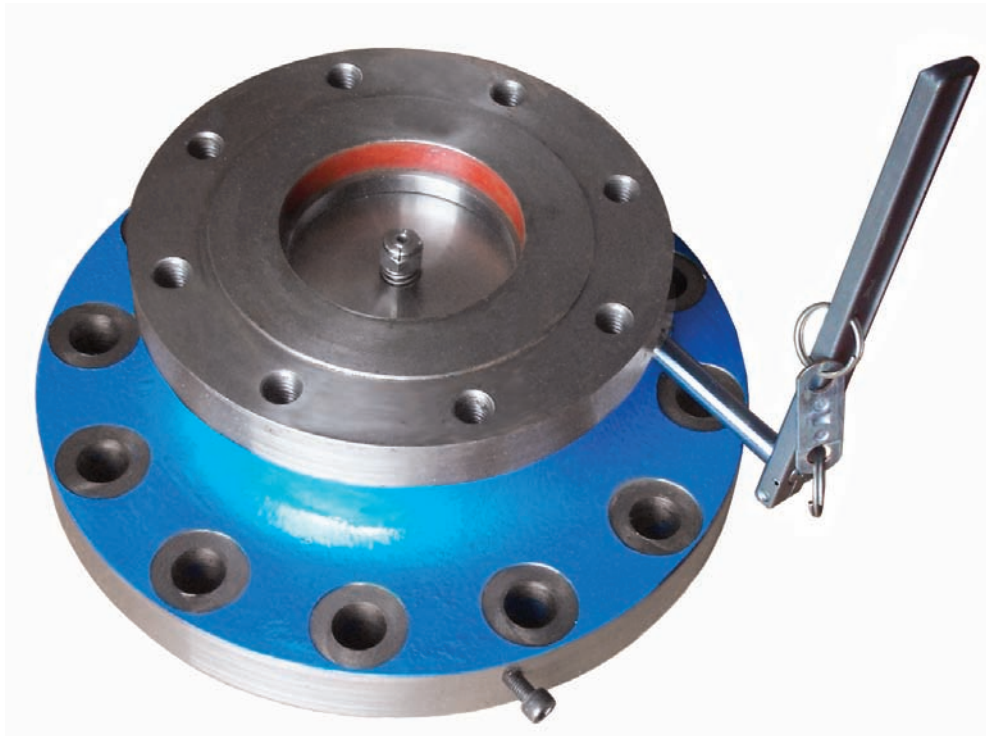


UVMY1000 Series Under Hydrant Shut-off Valve



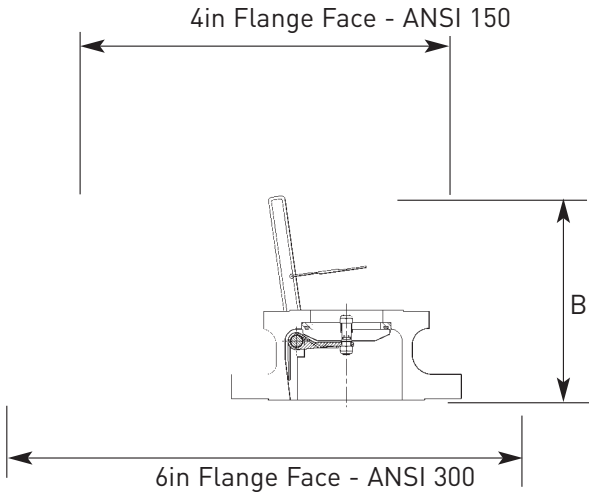
The Avery-Hardoll Systems Under Hydrant Valve is one of the most essential parts of a Hydrant System.

Should the isolation feature in a hydrant valve become in-operative, a servicing valve offers immediate local shutdown. This allows for removal or repair of the hydrant and alleviates the need to shut down the hydrant system either fully or partially.

In addition, the valve provides instant automatic shut down in the event of fire. This emergency closure feature is triggered by a 93 degC fusible link.

- ATEX and PED certified
- Choice of carbon or stainless steelbodies
- All valve components are manufactured in stainless steel
- Fire safe to API 6FA
- Available in three body lengths and fourflange configurations
- Compact design minimum face to face dimension of only 124.50 mm
- Operates as Emergency Shut-off Valve

Specification & Dimensions



Maximum working pressure:-	275 psi
Test pressure:-	540 psi
Maximum working temperature:-	70 deg C
Minimum working temperature:-	
Carbon steel	-29 deg C
Stainless steel	-40 deg C

Gross weight:- 28kg

Ordering Information

The units are available in two standard configurations:

- UVMY1013C - Carbon Steel Body
- UVMY1013S - Stainless Steel Body

Other "special builds" are available and can be ordered by referring to the table below:

UVMY10			1	1	C/S	2
--------	--	--	---	---	-----	---

NUMBER	4" FLANGE FACE	6" FLANGE FACE
1	FF	RF
2	FF	FF
3	RF	RF
4	RF	FF

NUMBER	LENGTH(B)
1	124.50
2	139.70
3	152.40

C:BODY MATERIAL (CARBON STEEL)
S:BODY MATERIAL (STAINLESS STEEL)
LOW TEMPERATURE SEALS (JVHL1001Z)

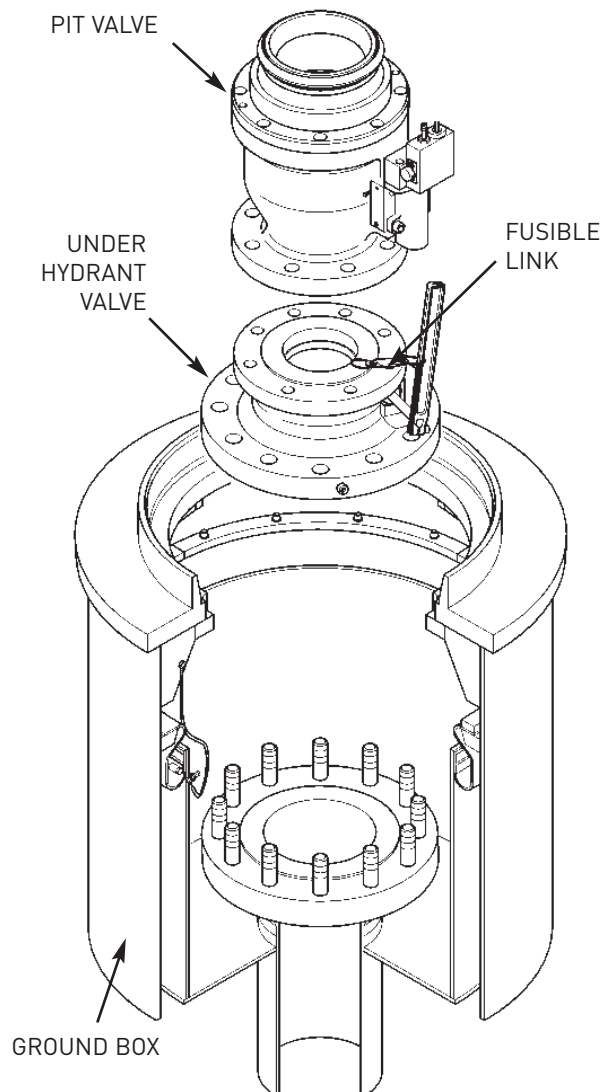
Operation

When fitted is operated by rotating the handle, thus opening the flap valve against a bespoke internal torsion spring. The design incorporates an automatic pressure equalisation feature, allowing the valve to be opened easily even when the hydrant is pressurised.

The valve is held open using a chain and fusible link arrangement.

To close the valve, the chain is simply uncoupled and the handle rotated until the flap meets its seat.

In the event of fire, the fusible link will fail and the valve will shut automatically.



Further Technical Information INCLUDING FULL SPARE PARTS LISTING may be obtained from our Technical Publications Department

Avery-Hardoll

Holland Way
Blandford Forum
Dorset DT11 7BJ
UK

Whittaker Controls

12838 Saticoy St
North Hollywood
California 91605-3505
USA

Tel: +44 (0) 1258 486600
Fax: +44 (0) 1258 486601

Tel: +1 818 765 8160
Fax: +1 818 759 2194