

PRODUCTS - Control Valves

IN-LINE PRESET VALVES 2.5, 3 and 4-inch

OPERATION

All valve types use a common body and are hydraulically controlled using line pressure to open or close the valve. Needle valves are provided to control speed of closing (and opening on the multistage valve). The valves use a 'Y' pattern body configuration which allows a straighter flow path and gives a pressure drop round 25% lower than conventional globe valves.

LINKAGE OPERATED TWO STAGE VALVE (CM5-SERIES)

The linkage valve is supplied bolted to the meter and is operated by the standard Veeder Root 7889 preset counter. Suitable for use with BM and CM series meters, the valve provides:

- Single stage opening
- Two stage closure
- Adjustable closing speed and slow flow rate
- Optional flow control



MICROSWITCH OPERATED TWO STAGE VALVE (CM6-SERIES)

Microswitch operated valves are compatible with the standard Veeder Root 7889 preset counter fitted with two microswitches. These control low and high flow solenoids.

The valve provides:

- Single stage opening
- Two stage closure
- Adjustable closing speed and slow flow rate
- Emergency closure when used with safety interlocks
- Minimum number of moving parts



SOLENOID OPERATED MULTISTAGE VALVE (BE1300 SERIES)

Solenoid operated preset valves are controlled by Masterload or similar electronic meter heads or depot automation systems.

The valve provides:

- Two stage opening
- Flow rate control at all times
- Multistage (ramped) closure
- Precise final closure (within 0.05 litres)
- Emergency closure when used with safety interlocks
- Minimum number of moving parts

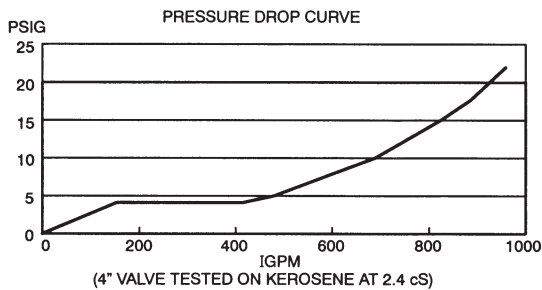
- CHOICE OF BODY MATERIAL
- IN-LINE CONFIGURATION
- LOW PRESSURE DROP
- DRIP TIGHT CLOSURE
- OPTIONAL FLOW CONTROL

MATERIALS

Valve body	Ductile iron (BS2789 420/12) or Cast steel A 216 WCB (4" only)
Valve spool	Anodised aluminium
Valve seat	Stainless steel
Seals	Fluorocarbon and PTFE
Pipework and fittings	Stainless steel

SPECIFICATION

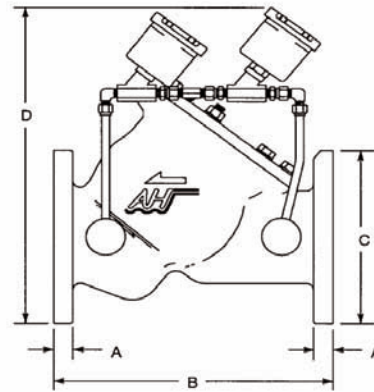
Maximum working pressure	150 psi
Test pressure	300 psi
Flanges	ANSI150
Solenoids	ATEX approved (flameproof)
Voltages	110, 220, 240 V ac 12, 24 V dc
Weight (four-inch valve)	39 kg
Temperature range	
CM5-	-28 to +100 C
CM6-/BE1300	-10 to + 50 C (ac) -10 to +40 C (dc)
Maximum viscosity (CM6-/BE1300)	300 cSt



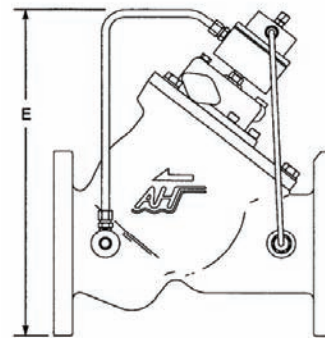
OPTIONAL

Rate of flow control pilot for CM5 valves.
Where two or more meters are supplied from the same pump, it is necessary to control the maximum flow rate to prevent meter overspeeding. This feature can be added to the CM5 valves by fitting the Rate of Flow control pilot, which modulates the preset valve by sensing the pressure drop across the meter and an orifice plate.

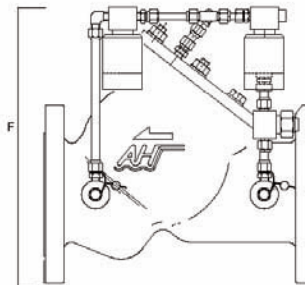
DIMENSIONS



Standard Solenoid Valve Flow Control



CM 5-Flow Control



3/2 Universal Solenoid Valve Flow Control

DIMENSIONS

	A	B	C	D (CM6-)	D (BE 1300)	E (CM5-)	E (CM5-) Flow Control	HOLE PCD	HOLE DIA
2 1/2"	0.75" (19 mm)	10.5" (267 mm)	7.0" (178 mm)	15.1" (384 mm)	14.33" (364 mm)	11.5" (292 mm)	12.75" (324 mm)	5.5" (140 mm)	0.75" (19 mm)
3"	0.75" (19 mm)	10.5" (267 mm)	7.5" (191 mm)	15.4" (390 mm)	14.6" (371 mm)	11.75" (298 mm)	13.0" (330 mm)	6.0" (152 mm)	0.75" (19 mm)
4"	0.95" (24 mm)	13.5" (343 mm)	8.98" (228 mm)	18.5" (470 mm)	16.45" (418 mm)	15.0" (380 mm)	16.14" (410 mm)	7.5" (191 mm)	0.75" (19 mm)

Avery-Hardoll

Holland Way
Blandford Forum
Dorset DT11 7BJ
UK

Tel: +44 (0) 1258 486600
Fax: +44 (0) 1258 486601

Whittaker Controls

12838 Saticoy St
North Hollywood
California 91605-3505
USA

Tel: +1 818 765 8160
Fax: +1 818 759 2194