

Fuelling products

Couplings

1 1/2-inch self sealing industrial couplings

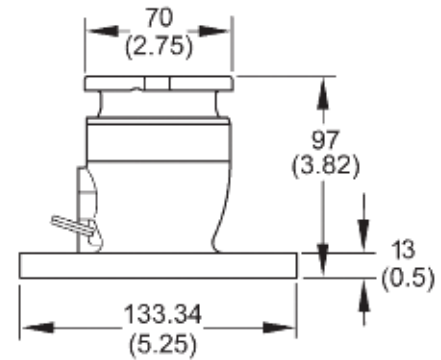
Specification

3 - TANK UNIT FLANGED VERSION CCMY 6150N

Material	Gunmetal
Weight	2.3 kg (5 lb)
Max. Working Pressure	175 psi (12 bar)
Test Pressure	265 psi (18 bar)

Flanged tank units are normally supplied undrilled, but can be drilled to customer requirements on request

3

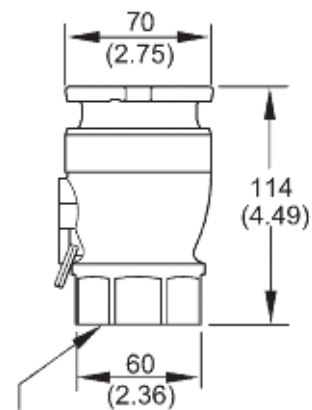


4 - TANK UNIT THREADED VERSION CCMY 6151N

Material	Gunmetal
Weight	1.25 kg (2.75 lb)
Max. Working Pressure	175 psi (12 bar)
Test Pressure	265 psi (18 bar)

4

1 1/2-inch Hexagon 2 1/4-inch
BS(P) (57 mm) A/Flats



Dimensions in millimeters (inches)

Meggitt Control Systems

Our product competencies & services:
Aerospace valves | Thermal management solutions | Environmental control systems | Electro-mechanical products
Ground fuelling products | Energy products | Aftermarket services

MEGGITT
smart engineering for
extreme environments