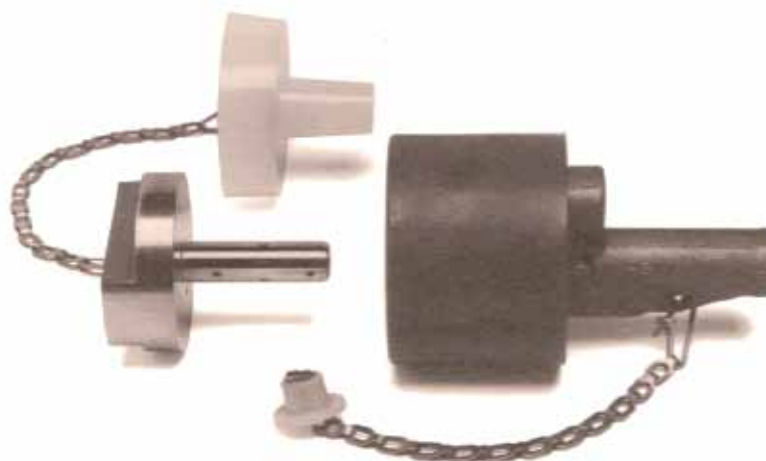


Fuelling products

Air/Fuel sense plug and socket

F554 and F571

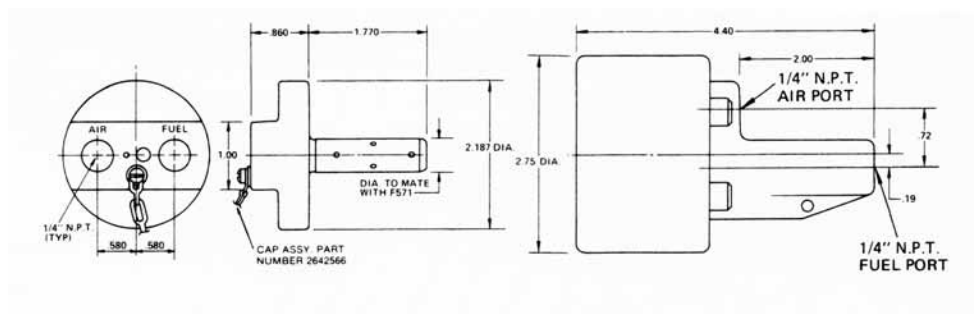
Air/Fuel Sense F554 plug & F571 socket



Air/fuel sense F554 plug and F571 socket

Meggitt air/fuel sense quick couplings are designed to transmit both air and fuel pressure from a hydrant servicing vehicle to a hydrant pit valve or a pressure control coupler. A simple push together and pull apart action allows easy connection. The socket provides self-sealing of the fuel line and venting of the air line to atmosphere when disconnected. Both air and fuel lines from the plug are vented during disconnection.

Envelope dimensions



Key Features

- Texin bumper on socket absorbs shock of normal handling
- Fuel valve actuator in socket is recessed to prevent inadvertent opening and damage from rough handling
- Inlet to socket is aluminum bronze and replaceable
- Abrasion resistant "O" rings provide seals between air and fuel passages
- Well-rounded holes used for passages on plug to prevent cutting of seals during connection
- Stainless steel used for plug, not soft brass
- Socket disassembles for seal, replacement
- Five position product selection available

Ordering data

Several modifications of both the F554 Plug and F571 Socket are available as noted in the table of modifications.

Meggitt Control Systems

Our product competencies & services:
Aerospace valves | Thermal management solutions | Environmental control systems | Electro-mechanical products
Ground fuelling products | Energy products | Aftermarket services

MEGGITT
smart engineering for
extreme environments

Fuelling products

Air/Fuel sense plug and socket

F554 and F571

Key Dimensions

F571 Parts Breakdown

Sym	Part No.	Description	Req'd	Modification Used On
1	2672330-1	Socket Body	1	All
1A	2672330-2	Socket Body	1	H
2	2803200-101	Bumper	1	All
3	2672326	Pin	1	All
4	NAS561C3-12	Pin	1	All
5	2661058BD005	Packing	1	All
*6	2823009-101	Stem	1	All
7	2672397	Screw	1	All
8	2681827	Seat	1	All
9	LC-032E-10MW	Spring	1	All
10	5005-43H	Retainer	1	All
11	568-112	"O" Ring	1	All
12	2661058K112	Packing	2	All
13	2661058K027	Packing	1	All
14	2672339-11	End	1	Basic
14A	2672339-1	End	1	A
14B	2672339-2	End	1	B
14C	2672339-3	End	1	C
14D	2672339-5	End	1	F
14E	2672339-6	End	1	G
15	2672328	Dust Plug Assy.	1	All
16	LP1351-4-20	Screw	4	Basic, A
16A	LP1351-4-16M	Screw	4	B,C,F,G
17	2713531	Retainer	1	All
18	2841003-101	Spacer	2	All
*19	5105-9H	Retainer	1	All

Notes: 1. All packings should be lubricated with petroleum jelly
2. Set screw (7) to be set to dimension shown.
Special tool F80-0-1304 must be used for this purpose.

Contact

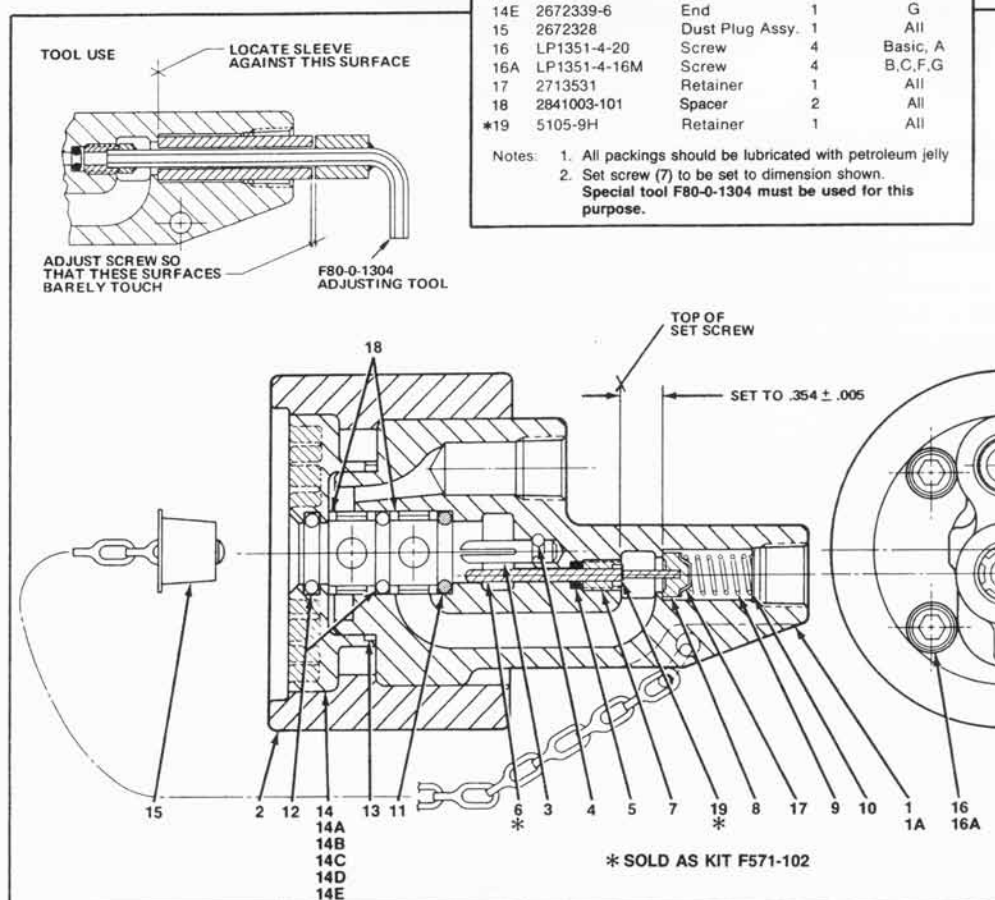
Meggitt North Hollywood

12838 Saticoy Street
North Hollywood
California 91605-3505
USA

Tel: (818) 765-8160

Fax: (818) 759-2194

www.meggitt.com



Meggitt Control Systems

Our product competencies & services:
Aerospace valves | Thermal management solutions | Environmental control systems | Electro-mechanical products
Ground fuelling products | Energy products | Aftermarket services

MEGGITT
smart engineering for
extreme environments