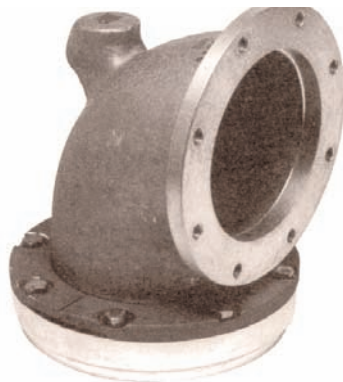


## LOW PRESSURE FOUR-INCH SWIVELS

### F628

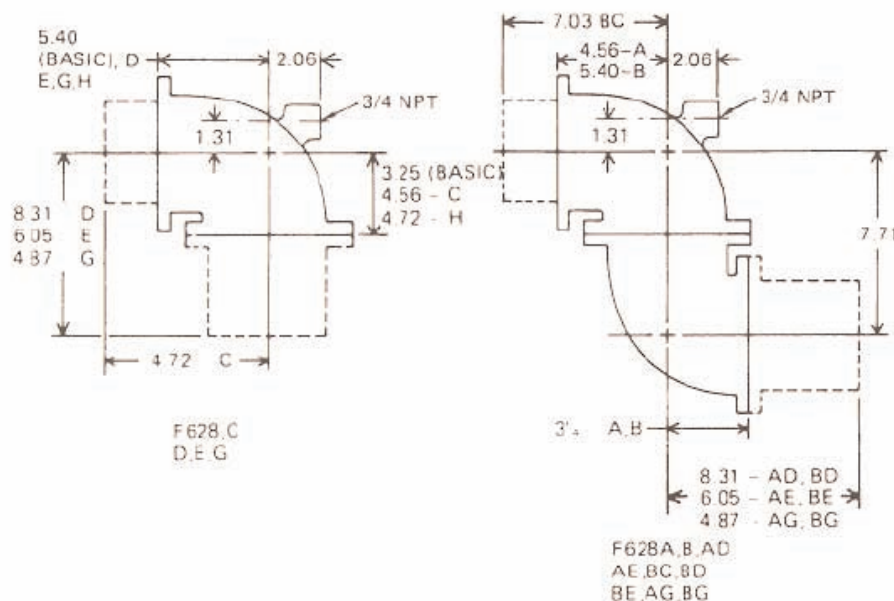


F628

### DELIVERY HOSE SWIVELS

Whittaker has a line of delivery hose swivels that provide excellent swiveling characteristics and yet utilize no ball bearings. Seals and bearings used in the F628 swivels are easily replaced facilitating maintenance. Each Whittaker swivel has a main liquid seal, a Teflon bearing and a dust seal to prevent damage to the bearing and main seal from road dirt.

### F628 SWIVELS

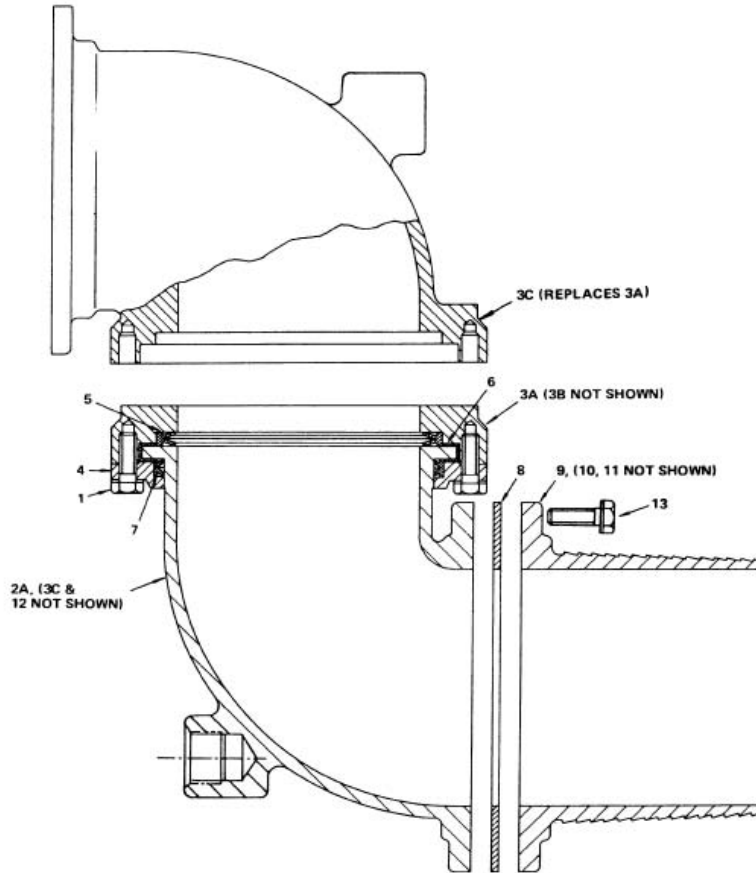


### Features

- No ball bearings or races to wear due to road vibrations - Teflon bearings used
- Dust seal protects main seal and bearing from road dirt
- Seals and bearings easily replaced
- 90° and 180° swivels available
- Single and double swivels available
- Standard Whittaker seals recommended for all commercial automotive and aircraft fuels - Viton® seals available
- Lightweight aluminum construction
- 150 psi working pressure
- NU flanges standard
- Four-inch female NPT and hose shank ends optional
- 4.5-inch diameter flow path
- Suitable for loading arm applications

# LOW PRESSURE FOUR-INCH SWIVELS

## F628



SYM	PART NO.	DESCRIPTION	F628	F628C	F628BC	F628D	F628E	F628G	F628A	F628B	F628H
1	2706000-518-12	BOLT	8	8	8	8	8	8	8	8	8
1A	2706000-518-14	BOLT	—	—	8	—	—	—	—	8	8
2A	2711670	ELBOW	1	—	—	1	1	1	1	1	—
3A	2711674	FLANGE	1	—	—	1	1	1	—	1	1
3B	2711650	COUPLING	—	1	1	—	—	—	—	—	1
3C	2711677-1	ELBOW	—	1	1	—	—	—	1	—	—
4	2711672-1	BEARING RING	1	1	2	1	1	1	1	2	2
5	2711673-1	SEAL	1	1	2	1	1	1	1	2	2
6	2711671	BEARING	1	1	2	1	1	1	1	2	2
7	2711675-1	SEAL, DUST	1	1	2	1	1	1	1	2	2
8	2711546	GASKET	—	—	—	1	1	1	—	—	—
9	2711585	FLANGE, 4" HOSE SHANK	—	—	—	1	—	—	—	—	—
10	4016SGA-2	ADAPTER, MALE CAM LOCK	—	—	—	—	1	—	—	—	—
11	2711586	FLANGE, 4" F.N.P.T.	—	—	—	—	—	1	—	—	—
12	2711677-2	ELBOW	—	—	—	—	—	—	—	1	1
13	2706000-616-14	BOLT	—	—	—	8	8	8	—	—	—

Notes: 1. Suffix "C" may be combined with "D", "E", & "G", as well as F628 (basic). Example F628CD or F628CE.  
 2. For suffix "F" with F628 basic or any other of the above change item 5 to 2711673-2 & item 6 to 2711675-2.  
 3. Suffix "D", "E" & "G" may be combined with F628A or F628B. Example F628AD or F628BE.

**Avery-Hardoll**  
 Holland Way  
 Blandford Forum  
 Dorset DT11 7BJ  
 UK

Tel: +44 (0) 1258 486600  
 Fax: +44 (0) 1258 486601

www.meggittfuelling.com

**Whittaker Controls**  
 12838 Saticoy St  
 North Hollywood  
 California 91605-3505  
 USA

Telephone: +1 818 765 8160  
 FAX: +1 818 759 2194

www.wkr.com  
 www.meggitt.com

**MEGGITT**