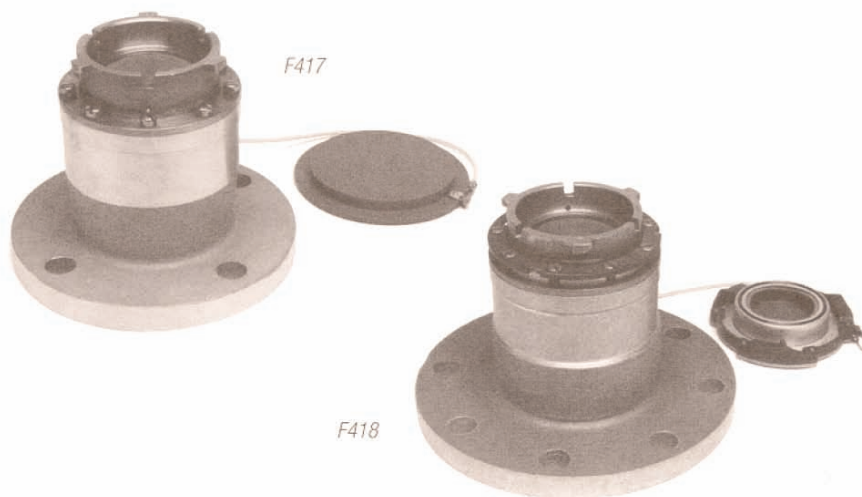


INTERNATIONAL STANDARD FLANGE ADAPTERS F417, F418, F419, F421, F426, F444 AND F445



F417, F418, F419, F421, F426, F444 and F445 international standard three-lug bayonet flange adapters

Whittaker offers a wide variety of configurations and sizes of highly reliable bottom loading adapters. These units with product selection may be paired with an inline shutoff valve to provide the connection to a hydrant coupler. Variations less product selection will mate any standard underwing nozzle.

Adapters incorporating the 2.5-inch International standard three-lug bayonet flange are available with 2.5-inch female pipe threads, or 2.5, three or four-inch 150 pound ASA flanges. These adapters with six position product selection mate with Whittaker's 2.5-inch F211 hydrant coupler or without product selection mate Whittaker's 2.5-inch F116, F117 or F120 underwing nozzles.

Whittaker also offers the F426, F444, and F445 variable configuration adapter without product selection in accordance with MS24484-2 to mate D-1 type nozzles (Whittaker P/N F1116ES and ER or F121 and F121 A).

See the modification section of this catalog for various options to the part number listed above.

Contact your local Whittaker distributor or Whittaker directly for technical information beyond that listed in the technical section of this catalog.

Features

- Main bodies of high strength aluminum alloy not recommended for use on hydrant valves
- 2.5-inch bayonet flanges of high strength manganese bronze (not soft brass) for longer life
- Six position product selection available on all units except F426, F444 and F445
- One-piece bonded poppet has longer life
- Plastic dust cover provided, except on F426
- Pressure tight cap (F425) available for use on F426, F444 and F445
- Pressure relief valve available in poppets, except on F426, F444 and F445

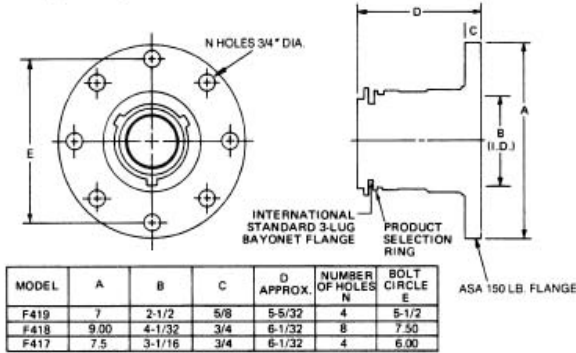
Additional features

- The F418 adapter is also available with a four-inch TTMA flange
- The F445 adapter has no product retention body and a four-inch TTMA flange
- The F444 has a three-inch TTMA flange with two pick-up ports in the body

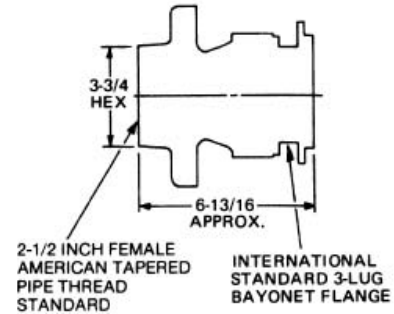
INTERNATIONAL STANDARD FLANGE ADAPTERS

F417, F418, F419, F421, F426, F444 AND F445

F417, F418, F419 Dimensions

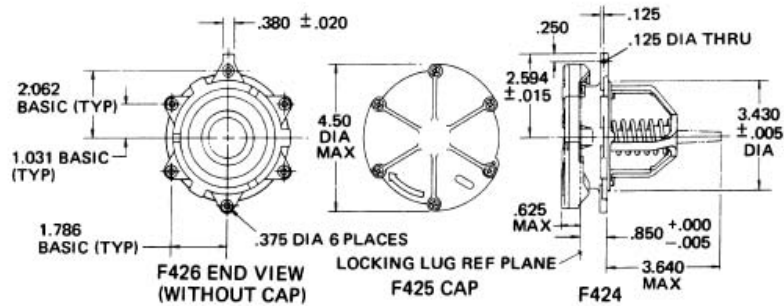


F421 Dimensions

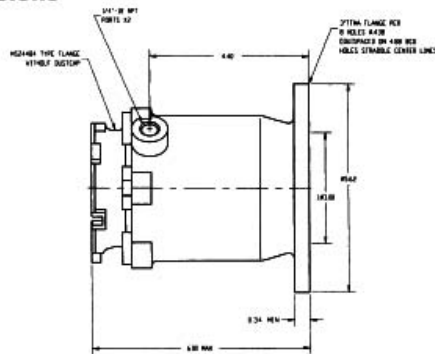


F426 Dimensions

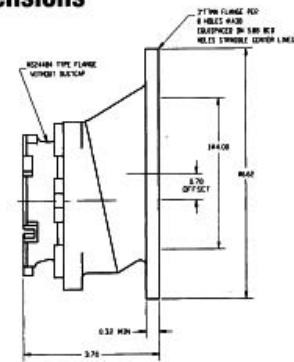
The F424 Adapter Assembly consists of Whittaker F426 adapter (MS24484-2), mounting packing, and pressure tight F425 sealing cap.



F444 Dimensions



F445 Dimensions



Avery-Hardoll
Holland Way
Blandford Forum
Dorset DT11 7BJ
UK

Tel: +44 (0) 1258 486600
Fax: +44 (0) 1258 486601

www.meggittfuelling.com

Whittaker Controls
12838 Saticoy St
North Hollywood
California 91605-3505
USA

Telephone: +1 818 765 8160
FAX: + 1818 759 2194

www.wkr.com
www.meggitt.com

MEGGITT