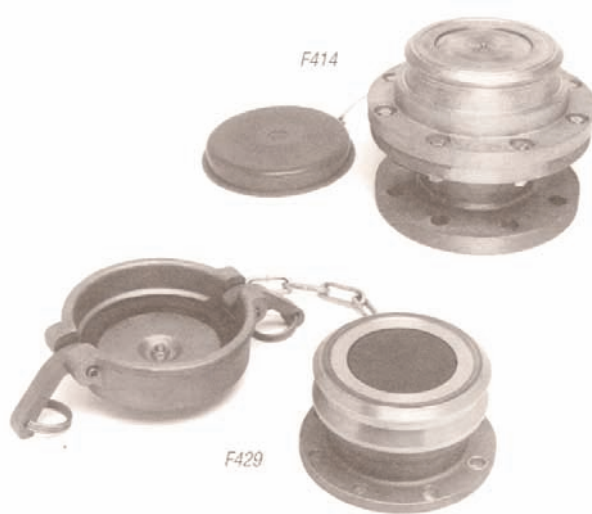


Meggitt Fuelling Products

Avery-Hardoll Whittaker Controls

API ADAPTORS F414 AND F429



F414 and F429 API Adaptors

The F414 adaptor is designed in accordance with API RP1004 to mate Whittaker couplers F240, F250 and F228 if used for bottom loading. It is also available with six-position product selection. When used as a hydrant valve adaptor the unit requires an optional relief valve with a poppet that then meets API 1584. The F414 has a 150# ASA flange and can be provided in aluminum or ductile iron. When the F414 is used as a hydrant adapter it is recommended that the unit be all ductile iron and include a relief valve.

The Whittaker F429 scaled down API style adaptor is available for bottom loading applications where four-inch hardware is not needed and is physically too large. Bulk plants and wholesale delivery tank wagons are typical applications where this hardware can be utilized. In addition, the F429 adaptor and its mating coupler, the F214, can easily be used in a truck "swing hose" delivery system to good advantage.

See the modification section of this catalog for various options to the part number listed above.

Contact your local Whittaker distributor or Whittaker directly for technical information beyond that listed in the technical section of this catalog.

Features

- Iron and brass free content standard
- Seals suitable for use with fuels with high aromatic content
- Lightweight, rugged aluminum construction

Features - F429 only

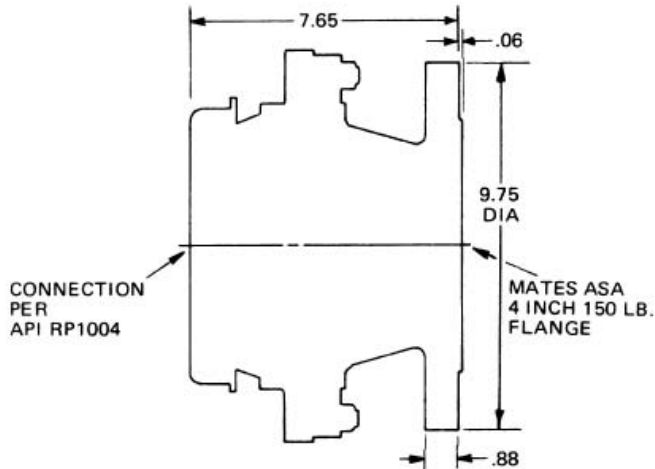
- API style connection - reduced scale for three-inch size
- Available with three-inch NTT; 2.5, three and four-inch NPT; and three-inch BSP flanges
- Metal self-sealing cap provided
- Eight-inch center-to-center installation possible (with mating F214 coupler)
- Low pressure drop design - full three-inch
- Available with Viton seals
- Standard metal dust cover - retained by rugged chain

MEGGITT

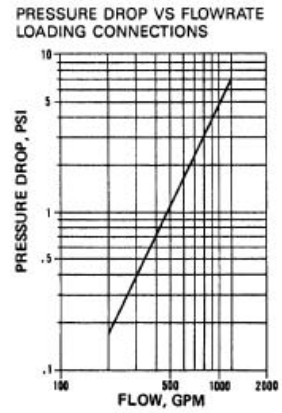
API ADAPTORS

F414 AND F429

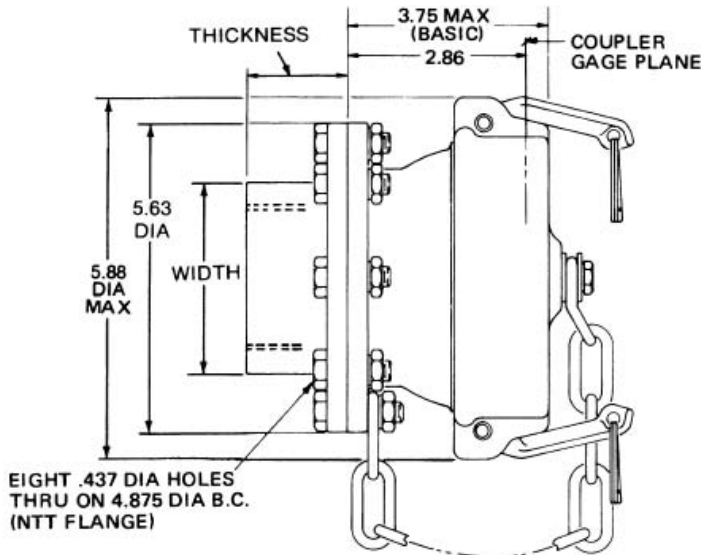
F414 Dimensions



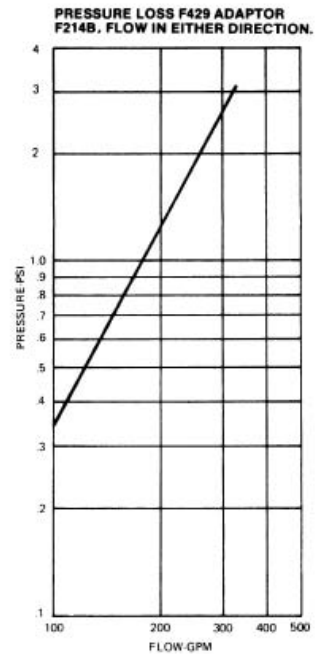
F414 Flow Data



F429 Dimensions



F429 Flow Data



Avery-Hardoll
Holland Way
Blandford Forum
Dorset DT11 7BJ
UK

Tel: +44 (0) 1258 486600
Fax: +44 (0) 1258 486601

www.meggittfuelling.com

Whittaker Controls
12838 Saticoy St
North Hollywood
California 91605-3505
USA

Telephone: +1 818 765 8160
FAX: + 1818 759 2194

www.wkr.com
www.meggitt.com

MEGGITT