

## PRESSURE CONTROL COUPLER F239



The Whittaker air set pressure control coupler is designed to mate with IP standard hydrants or hydrants and adapters manufactured in accordance with API bulletin 1584. Control pressure is achieved by the use of regulated reference air and remote fuel sense pressure. Available options include air deadman only and local sensing. Outlet configurations allow the use of various types of threads and hose sizes. (Supersedes F229 series pressure control coupler.)

### Features

- Air and fuel separated by dual sealed dead space vented to atmosphere
- Full size four-inch flow path
- Available with F554 air/fuel sense plug to mate with F571 air/fuel sense socket
- Operating handle with full interlock feature - will not open unless locked onto the hydrant or adapter, may not be disconnected unless closed
- Four-inch disconnect type swivel with safety and redundant lock rings for positive lock and ease of removal from hose
- Mates with Whittaker hydrants F352/F353 and others which comply with Institute of Petroleum standards, and F414 adapter designed in accordance with API Bulletin 1584

See the modification section of this catalog for various options to the part number listed above.

Contact your local Whittaker distributor or Whittaker directly for technical information beyond that listed in the technical section of this catalog.

### Additional features

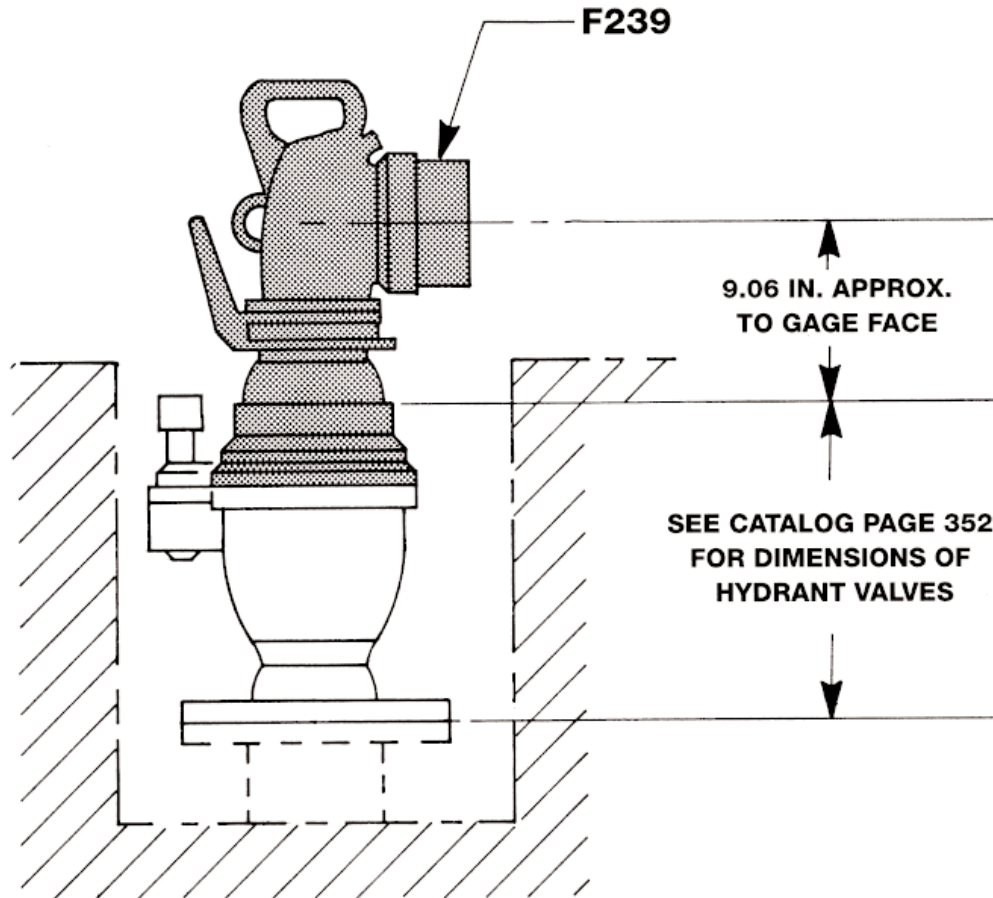
- Texin bumper reduces coupler wear and breakage
- Pressure drop thru the F239 pressure control coupler and F352 IP hydrant valve is 12 PSI (0.85 bar) at 1200 GPM (4500L/Min)
- Operating pressure to 200 PSI (13.9 BAR)
- Peak surge pressure 305 PSI (21.0 BAR)
- Does not require a separate lock for the shroud
- Can be used as primary or secondary pressure control

### Operating characteristics

- Operating pressure - 200 PSI
- Closing time - adjustable 2 to 15 seconds
- Opening time - adjustable 2 to 30 seconds
- Regulated pressure - nominal 25 PSI below air pressure
- Flow characteristics - pressure drop 12 PSI at 1200 GPM mated to F352 hydrant valve
- Requires minimum of 50 PSI regulated air pressure
- Example: 65 PSI air to obtain nominal 40 PSI fuel pressure

# PRESSURE CONTROL COUPLER F239

## Hydrant Coupler Installation



Avery-Hardoll  
Holland Way  
Blandford Forum  
Dorset DT11 7BJ  
UK

Tel: +44 (0) 1258 486600  
Fax: +44 (0) 1258 486601

[www.meggittfuelling.com](http://www.meggittfuelling.com)

Whittaker Controls  
12838 Saticoy St  
North Hollywood  
California 91605-3505  
USA

Telephone: +1 818 765 8160  
FAX: + 1818 759 2194

[www.wkr.com](http://www.wkr.com)  
[www.meggitt.com](http://www.meggitt.com)

**MEGGITT**