

BOTTOM LOADING COUPLER F214



F214 Bottom loading coupler

The Whittaker three-inch bottom loading coupler is designed for use in bulk plant systems where the standard four-inch API F228 coupler is too large. The F214 coupler mates with F429 adapter and has a unique snap-on pull-off connecting action not used on the larger relatives. The coupler is available with 2, 2.5 and 3-inch female pipe threads or a three-inch TTMA flange.

NOTES:

1. Various F582 and F584 swivel assemblies will mate the F214 coupler to provide coupler rotation
2. Older style F214 with spring loaded sleeves may be converted to current wave washer design by ordering KITF214-102

Features

- Reduced sized API style design
- Snap-on, pull-off connection - one hand operation
- Full interlock safety
- Compact, low weight, rugged design
- Low pressure drop
- Capable of eight-inch center to center multi-adapter installation
- Suitable for on-truck swing-hose delivery systems (see tech section)
- 200 PSI proof pressure
- Mates Whittaker F429 adapter
- Lightweight, rugged aluminum construction
- Standard seals recommended for all commercial automotive and aircraft fuels - Viton seals available

For modifications see modification page M214.

See the modification section of this catalog for various options to the part number listed above.

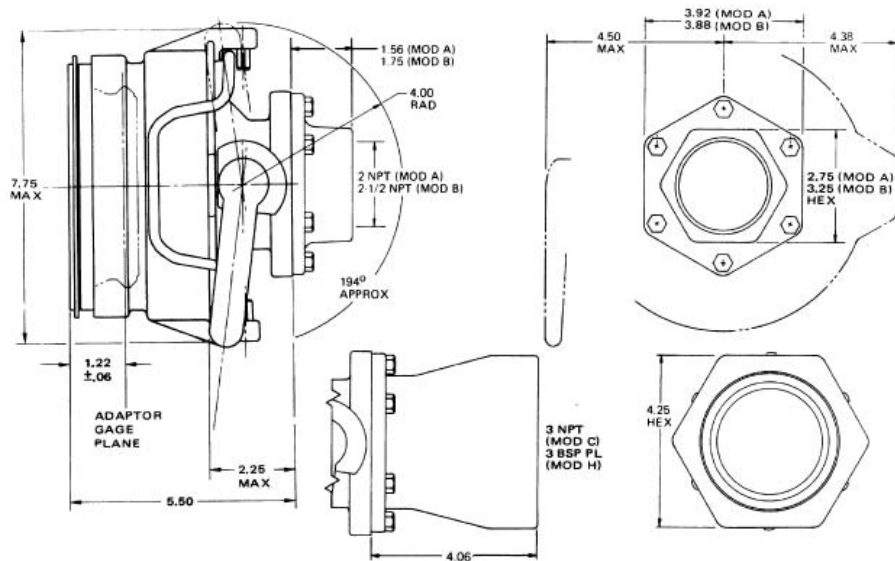
Contact your local Whittaker distributor or Whittaker directly for technical information beyond that listed in the technical section of this catalog.

MEGGITT

BOTTOM LOADING COUPLER

F214

F214 Dimensions



Avery-Hardoll
Holland Way
Blandford Forum
Dorset DT11 7BJ
UK

Tel: +44 (0) 1258 486600
Fax: +44 (0) 1258 486601

www.meggittfuelling.com

Whittaker Controls
12838 Saticoy St
North Hollywood
California 91605-3505
USA

Telephone: +1 818 765 8160
FAX: + 1818 759 2194

www.wkr.com
www.meggitt.com

MEGGITT